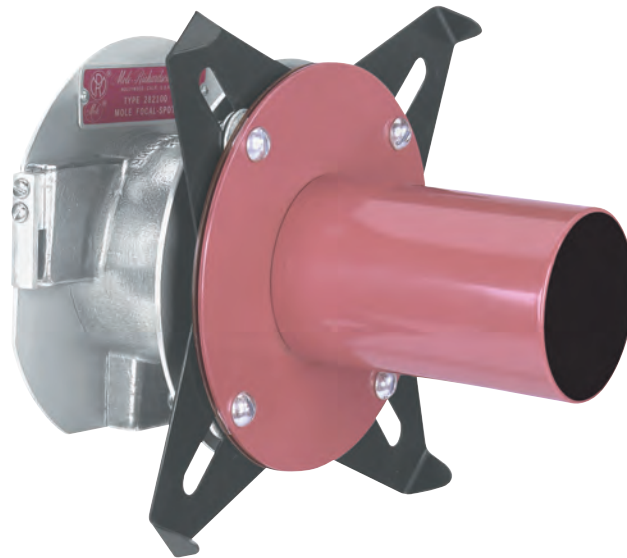




Mole-Richardson Co.

TYPE 282100

MOLE FOCAL SPOT

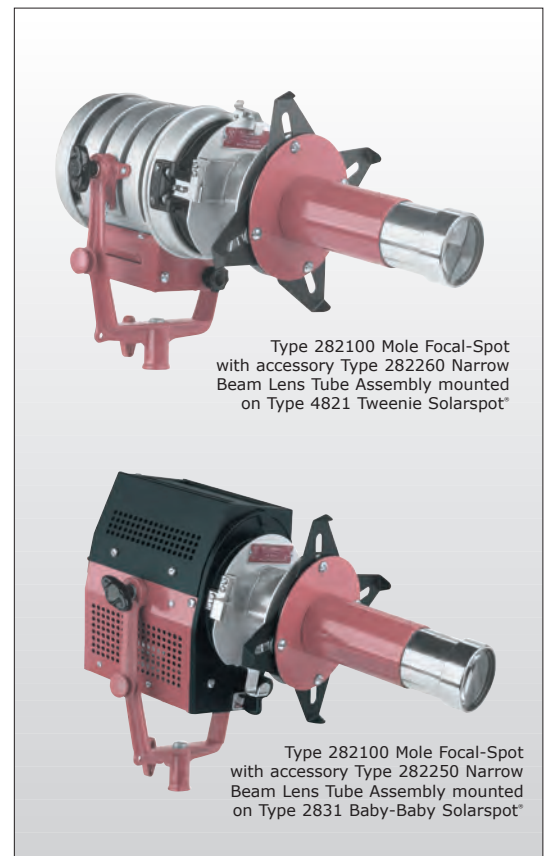


2

25

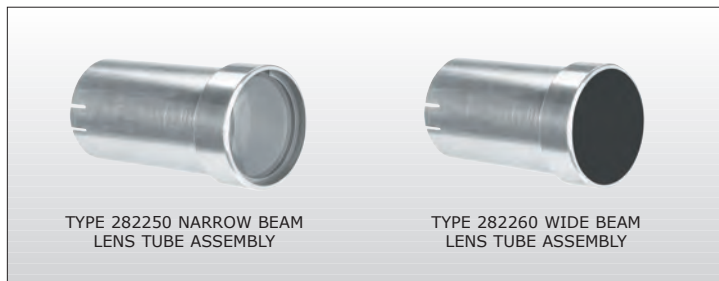
FEATURES

A new highly efficient Focal-Spot designed to mount in the diffuser clips of the Baby-Baby & the Tweenie II Solarspot®, utilizing the Fresnel lens for more efficient illumination. The specially designed optical system produces a sharp outlined spot with a smooth field and a sharp cut off from the framing shutters. A slot is provided for Mole Designed Patterns and four different size aperture mats that may be inserted individually. With the addition of the 282275 Dip Stick (pattern holder), the complete line of Gam "G" Patterns (over 100 available) may be used. The lens and shutter assembly may be rotated 360 degrees. A diffuser retainer for colored gel or diffusion is available. For use in Motion Picture, Television, Theatrical Production, Digital or Still Photography where maximum intensity is required.



Type 282100 Mole Focal-Spot with accessory Type 282260 Narrow Beam Lens Tube Assembly mounted on Type 4821 Tweenie Solarspot®

Type 282100 Mole Focal-Spot with accessory Type 282250 Narrow Beam Lens Tube Assembly mounted on Type 2831 Baby-Baby Solarspot®



TYPE 282250 NARROW BEAM LENS TUBE ASSEMBLY

TYPE 282260 WIDE BEAM LENS TUBE ASSEMBLY



TYPE 282100

MOLE FOCAL SPOT



GLOBE TABLES

TYPE 4821 650 WATT MOLEQUARTZ®

TWEENIE SOLARSPOT® Base, 2-pin prefocus. Burn within 45° of vertical base down. T-6 bulb, 1.83" L.C.L.

Watts	Ordering Code	Color Temp. °K	Finish	Volts	Life Hours	Amps
650	FRK	3200	Clear	120	200	5.4
650	FRL	3200	Clear	230	150	3.0
650	FRM	3200	Clear	240	150	2.7
500	FRG	3200	Clear	120	150	4.2
500	FRH	3200	Clear	230	150	2.2
500	FRJ	3200	Clear	240	150	2.1
300	FKW	3200	Clear	120	200	2.5
300	FSK	3200	Clear	240	150	1.2

TYPE 2831 1,000 WATT MOLEQUARTZ®

BABY-BABY SOLARSPOT® Base, medium bipost. Burn within 45° of vertical base down. T-6 bulb and T-7 bulbs; 2½" L.C.L.

Watts	Ordering Code	Color Temp. °K	Finish	Volts	Life Hours	Amps
1000	EGT	3200	Clear	120	250	8.3
750	EGR	3200	Clear	120	200	6.3
500	EGN	3200	Clear	120	100	4.2

Globes not included in price of lamp.
See price list for complete details.

PERFORMANCE DATA

Mounted on **Type 4821 Tweenie Solarspot®** (with Fresnel Lens in place) using 650 watt, 120 volt, 3200°K quartz globe at maximum flood position.

Distance in Feet	Narrow Beam Using Type 282250 Lens Tube Assembly		Wide Beam Using Type 282260 Lens Tube Assembly	
	Light Intensity F.C.	Beam Diameter* Feet	Light Intensity F.C.	Beam Diameter* Feet
3	3,250	.7	1,375	1.1
5	1,170	1.2	495	1.8
7	597	1.7	253	2.5
10	293	2.5	124	3.5
12	203	3.0	86	4.2
15	130	3.7	55	5.3

*Diameters listed are maximum flat area diameters of sharp edge spot.

SPECIFICATIONS

FOCAL-SPOT: Type 282100.

NOTE: For **Type 4821 Tweenie II Solarspot®** & **Type 2831 Baby-Baby Solarspot®** Fresnel Lens remains in place when attaching Focal Spot.

CONSTRUCTION: Anodized Aluminum machined parts and sheet steel spinings.

LENS: Two 2.95" x 5.90" (75mm x 150mm) plano-convex condenser lenses. (Not included in price of unit)

APERTURE ASSEMBLY: Consist of four adjustable framing shutters and guides to contain Matts and Patterns.

SIZE: 3" dia. x 4¾" long.

FINISH: Baked maroon enamel and clear anodize.

WEIGHT: FOCAL SPOT only. 1 lb. 1 oz.

OBJECTIVE LENS ASSEMBLIES.

Type 282250 Narrow Beam Lens Tube Assembly having one 2.36" x 7.87" (60mm x 200mm) double-convex objective lens.

Type 282260 Wide Beam Lens Tube Assembly having one 2.36" x 5.90" (60mm x 150mm) double-convex objective lens.

FOCUSING: Lens Assemblies focus by retracting or extending within the travel tube.

WEIGHT: With **Narrow Beam Assembly:** 1 lb. 5 oz.

WEIGHT: With **Wide Beam Assembly:** 1 lb. 7 oz.

282268 Focal-Spot Kit

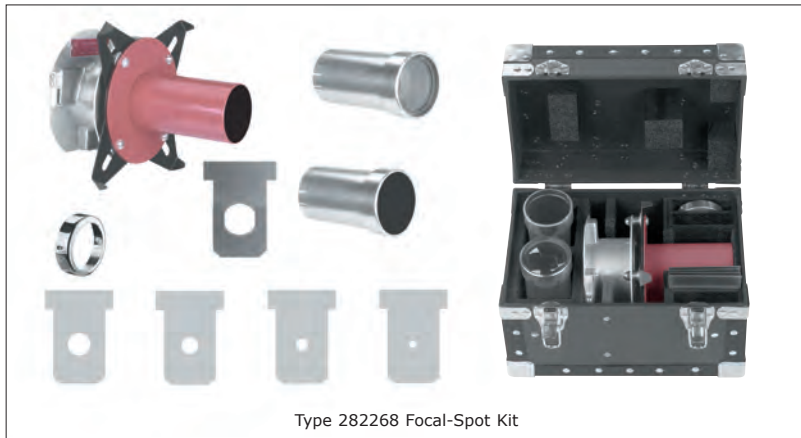
407272 Set of 4 Matts
Apertures: ¼", ½", ¾", and 1½".

282264 Diffuser Retainer

282250 Narrow Beam Lens Tube Assembly

282260 Wide Beam Lens Tube Assembly

282275 Pattern Holder
(For use with with "G" Patterns)



Type 282268 Focal-Spot Kit

Mounted on **Type 2831 Baby-Baby Solarspot®** (with Fresnel Lens in place) using 1,000 watt, 120 volt, 3200°K quartz globe at maximum flood position.

Distance in Feet	Narrow Beam Using Type 282250 Lens Tube Assembly		Wide Beam Using Type 282260 Lens Tube Assembly	
	Light Intensity F.C.	Beam Diameter* Feet	Light Intensity F.C.	Beam Diameter* Feet
3	5,000	.7	3,125	1.1
5	1,800	1.2	1,125	1.8
7	918	1.7	574	2.5
10	450	2.5	281	3.5
12	310	3.0	195	4.2
15	200	3.7	125	5.3

