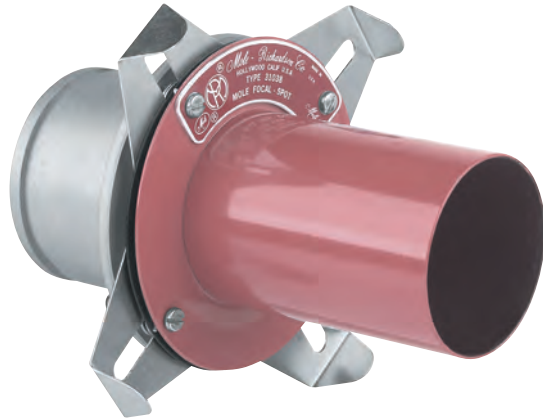




# Mole-Richardson Co.

**TYPE 31038**

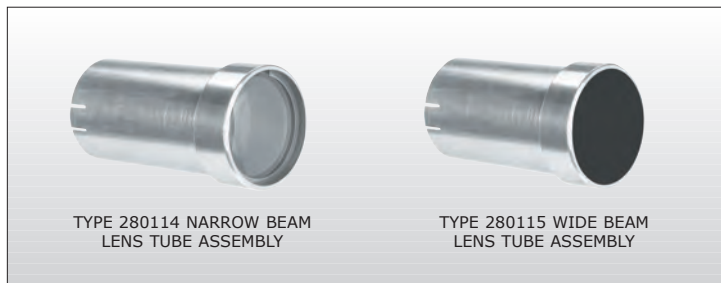
## **MOLE FOCAL SPOT**



2  
24

### **FEATURES**

A quality Focal-Spot with high performance designed to mount on the front of the InBetweenie. The specially designed optical system produces a sharp outlined spot with a smooth field and a sharp cut off from the framing shutters. A slot is provided for Mole Designed Patterns and four different size aperture mats that may be inserted individually. With the addition of the 280195 Dip Stick (pattern holder), the complete line of Gam "E" Patterns (over 100 available) may be used. The lens and shutter assembly may be rotated 360 degrees. A diffuser retainer for colored gel or diffusion is available. For use in Motion Picture, Television, Theatrical Production, Digital or Still Photography where maximum intensity is required.



TYPE 280114 NARROW BEAM  
LENS TUBE ASSEMBLY

TYPE 280115 WIDE BEAM  
LENS TUBE ASSEMBLY

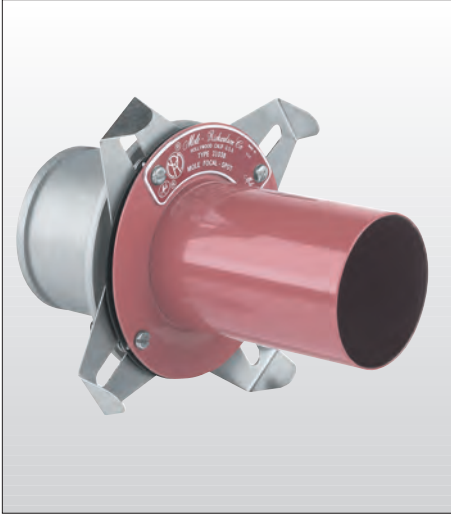


Type 31038 Mole Focal-Spot  
with accessory Type 280114 Narrow  
Beam Lens Tube Assembly mounted  
on Type 3101 InBetweenie Solarspot®



## TYPE 31038

### MOLE FOCAL SPOT



### GLOBE TABLE

**TYPE 3101 200 WATT MOLEQUARTZ®**  
**INBETWEENIE SOLARSPOT®** Base,  
 miniature 2-pin (G5.3) Burn with base down  
 to horizontal. T-3½ bulbs, 1.26" (32mm)  
 L.C.L.

Watts	Ordering Code	Color Temp. °K	Finish	Volts	Life Hours	Amps
200	FVL	3200	Clear	120	200	2.1
100	FVM	3200	Clear	120	200	1.0

Globes not included in price of lamp.  
 See price list for complete details.

### SPECIFICATIONS

**FOCAL-SPOT:** Type 31038.

**NOTE:** For Type 3101 InBetweenie Solarspot® Fresnel Lens remains in place when attaching Focal Spot.

**CONSTRUCTION:** Anodized Aluminum machined parts and sheet steel spinnings.

**LENS:** Two 1.69" x 2.99" (43mm x 76mm) plano-convex condenser lenses. (Not included in price of unit)

**APERTURE ASSEMBLY:** Consist of four adjustable framing shutters and guides to contain Matts and Patterns.

**SIZE:** 3" dia. x 4¾" long.

**FINISH:** Baked maroon enamel and clear anodize.

**WEIGHT:** FOCAL SPOT only. 1 lb. 1 oz.

### OBJECTIVE LENS ASSEMBLIES.

**Type 280114** Narrow Beam Lens Tube Assembly having one 1.61" x 3.94" (41mm x 100mm) double-convex objective lens.

**Type 280115** Wide Beam Lens Tube Assembly having one 1.58" x 2.52" (40mm x 64mm) double-convex objective lens.

**FOCUSING:** Lens Assemblies focus by retracting or extending within the travel tube.

**WEIGHT:** With Narrow Beam Assembly: 1 lb. 5 oz.

**WEIGHT:** With Wide Beam Assembly: 1 lb. 7 oz.

### 31059 Focal-Spot Kit

280109 Set of 4 Matts  
 Apertures: ¼", ½", ¾", and 1½".

280110 Diffuser Retainer

280114 Narrow Beam Lens Tube Assembly

280115 Wide Beam Lens Tube Assembly

280195 Pattern Holder  
 (For use in "E" Patterns)



Type 31059 Focal-Spot Kit

### PERFORMANCE DATA

Mounted on **Type 3101 InBetweenie Solarspot®**  
 (with Fresnel Lens in place) using 200 watt, 120 volt,  
 3200°K quartz globe at maximum flood position.

Distance in Feet	Narrow Beam Using Type 280114 Lens Tube Assembly		Wide Beam Using Type 280115 Lens Tube Assembly	
	Light Intensity F.C.	Beam Diameter* Feet	Light Intensity F.C.	Beam Diameter* Feet
3	400	1.0	150	1.7
5	150	1.6	60	2.7
7	75	2.1	30	3.6
10	60	2.2	20	4.8

\*Diameters listed are maximum flat area diameters of sharp edge spot.

