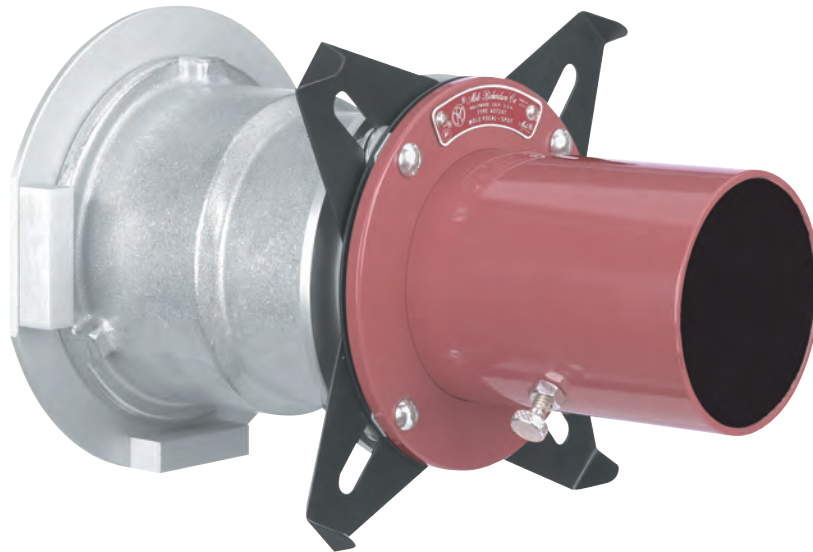




Mole-Richardson Co.

TYPE 407247

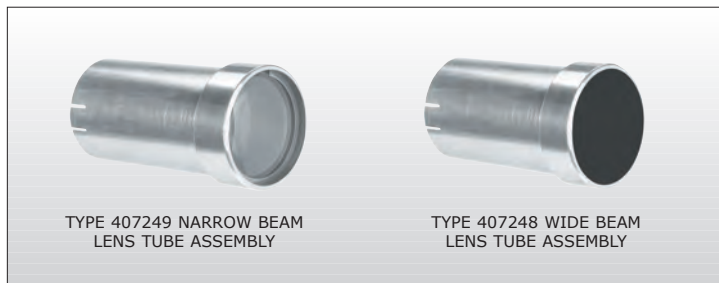
MOLE FOCAL SPOT



2
28

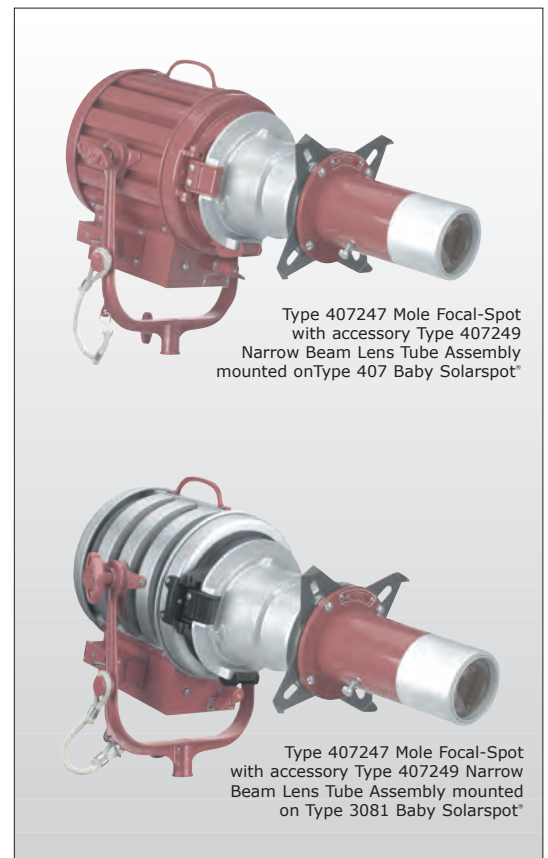
FEATURES

A new highly efficient Focal-Spot designed to mount in the diffuser clips of the Type 407 or Type 3081 Baby Solarspot®, utilizing the Fresnel lens for more efficient illumination. The specially designed optical system produces a sharp outlined spot with a smooth field and a sharp cut off from the framing shutters. A slot is provided for Mole Designed Patterns and four different size aperture mats that may be inserted individually. With the addition of the 407378 Dip Stick (pattern holder), the complete line of Gam "M" Patterns (over 100 available) may be used. The lens and shutter assembly may be rotated 360 degrees. A diffuser retainer for colored gel or diffusion is available. For use in Motion Picture, Television, Theatrical Production, Digital or Still Photography where maximum intensity is required.



TYPE 407249 NARROW BEAM
LENS TUBE ASSEMBLY

TYPE 407248 WIDE BEAM
LENS TUBE ASSEMBLY



Type 407247 Mole Focal-Spot
with accessory Type 407249
Narrow Beam Lens Tube Assembly
mounted on Type 407 Baby Solarspot*

Type 407247 Mole Focal-Spot
with accessory Type 407249 Narrow
Beam Lens Tube Assembly mounted
on Type 3081 Baby Solarspot*



TYPE 407247

MOLE FOCAL SPOT



GLOBE TABLE

TYPE 407 & TYPE 3081 1,000 WATT BABY SOLARSPOT®

Base, medium bipost. Burn within 45° of vertical base-down. T-6, T-7, T-20, or T-24 bulbs; 2 1/2" L.C.L.

Watts	Ordering Code	Color Temp.*K	Finish	Volts	Life Hours	Amps
1000	EGT	3200	Clear	120	250	8.3
750	EGR	3200	Clear	120	200	6.3
500	EGN	3200	Clear	220	100	4.2

Globes not included in price of lamp.
See price list for complete details.

SPECIFICATIONS

FOCAL-SPOT: Type 407247.

NOTE: For Type 407 or Type 3081 Baby Solarspot® Fresnel Lens remains in place when attaching Focal Spot to diffuser clips.

CONSTRUCTION: Aluminum castings and anodized aluminum machined parts.

LENS: Two 4 1/2" x 7 1/2" (114.3mm x 190.5mm) plano-convex condenser lenses. (Not included in price of unit)

APERTURE ASSEMBLY: Consist of four

adjustable framing shutters and guides to contain Mats and Patterns.

SIZE: 7" dia. x 10 3/8" long with 3 flat surfaces allowing mounting plate to fit in diffuser clips of Type 407 or Type 3081 Baby Solarspot®.

FINISH: Baked maroon enamel and clear anodize.

WEIGHT: FOCAL SPOT ONLY. 5 lb.10 ozs.

OBJECTIVE LENS ASSEMBLIES.

Type 407248 Wide Beam Lens Tube Assembly having one 2.95" x 5.91" (75mm x 150mm) convex objective lens.

Type 407249 Narrow Beam Lens Tube Assembly having one 2.95" x 7.87" (75mm x 200mm) convex objective lens.

FOCUSING: Friction on grooved traveling tube.

WEIGHT: With Narrow Beam Assembly: 7 lb.12 ozs.

WEIGHT: With Wide Beam Assembly: 7 lb.15 ozs.

407275 Focal-Spot Kit

407248 Wide Beam Lens Tube Assembly

407249 Narrow Beam Lens Tube Assembly

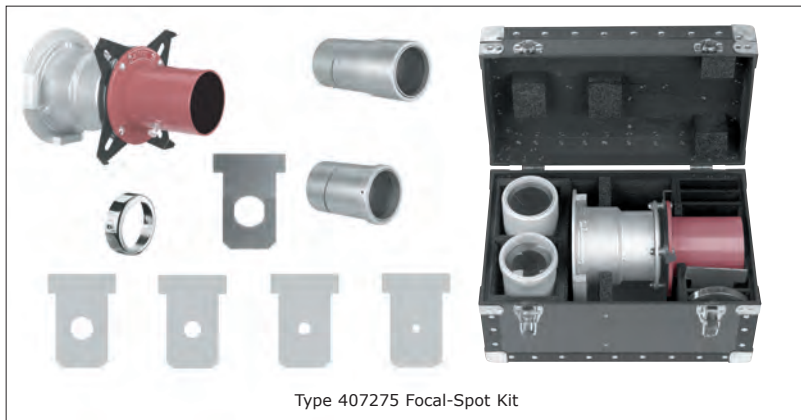
407271 Diffuser Retainer

407272 Set of 4 Mats

Apertures: 1/4", 1/2", 3/4", and 1 1/2".

407378 Pattern Holder

(For use in "M" Patterns)



Type 407275 Focal-Spot Kit

PERFORMANCE DATA

Mounted on Type 407 or Type 3081 Baby Solarspot® using 1,000 watt, 120 volt, 3200°K quartz globe at maximum flood position.

Distance in Feet	Narrow Beam Using Type 407249 Lens Tube Assembly		Wide Beam Using Type 407248 Lens Tube Assembly	
	Light Intensity F.C.	Beam Diameter* Feet	Light Intensity F.C.	Beam Diameter* Feet
5	3,000	1.0	1,600	1.4
10	530	2.3	300	3.3
15	210	3.7	115	5.3
20	110	5.2	60	7.4
25	70	6.5	40	9.3
30	50	7.8	25	11.1
40	28	10.4	15	14.8
50	18	13.0	—	—

*Diameters listed are maximum flat area diameters of sharp edge spot.

