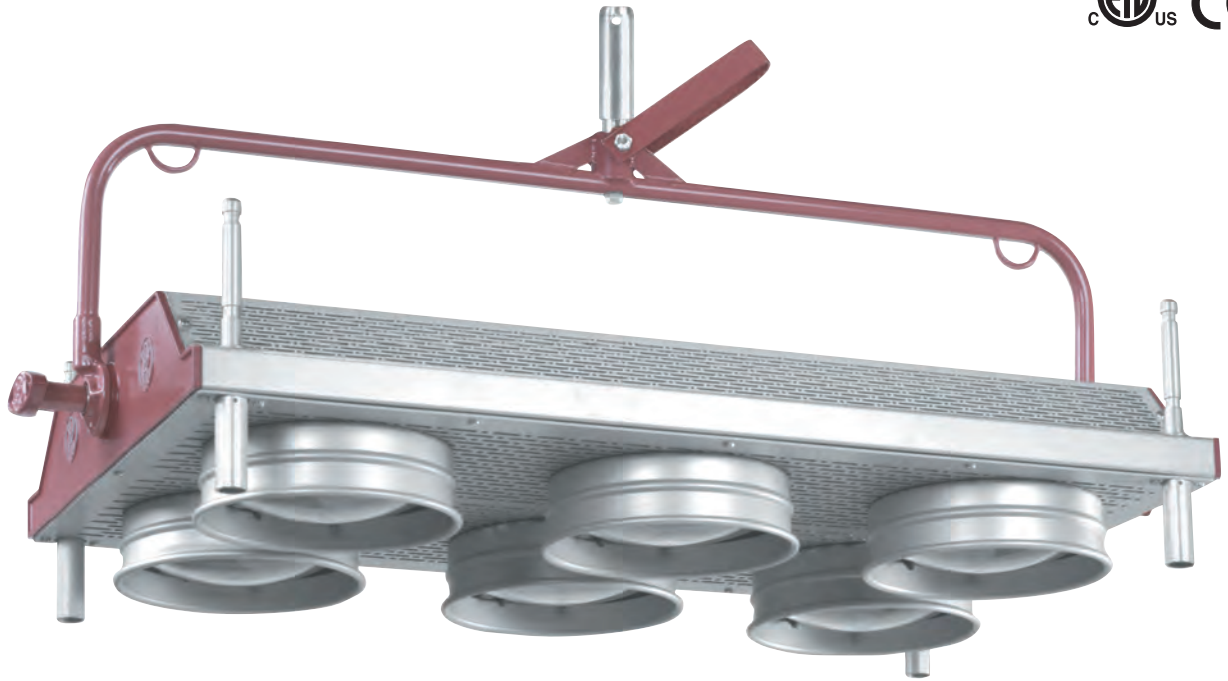




Mole-Richardson Co.

TYPE 7251

**6,000/7,200 WATT
SIX-LIGHT MAXICOOP™**



5

10

FEATURES

The MaxiCoop™ is a six-light Par-64 overhead fixture designed to simulate bright skylight. This versatile design incorporates features from our MolePars®, SpaceLites and Coops to achieve directional downlight, sidelight or backlight. The Light Box Holder incorporates a highly reflective aluminumized skirt, integrated safety screen, and allows mounting of two slide-out 36" x 48" filter frames. The low profile yoke allows the lamp to be tilted 180 degrees for optimum positioning, and uses a 1¹/₈" junior pin with a "flip-up" rope hanger for several hanging options. The four 5⁵/₈" corner pins provide optional rigging points and allows compact stacking when storing. Powered by a 6-circuit Socapex connector.



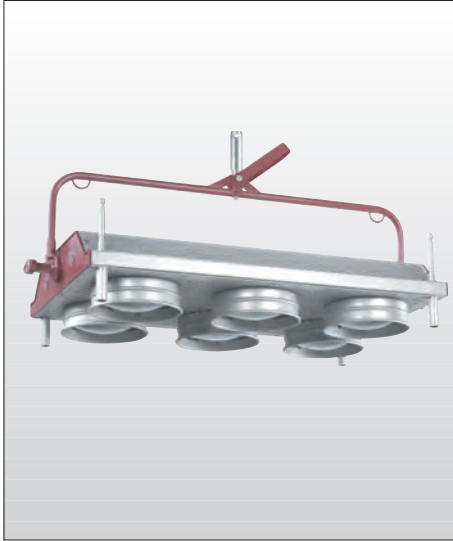
TYPE 7251 MAXICOOP™ WITH TYPE 72518 LIGHT BOX
HOLDER, TYPE 72552 LIGHT BOX ALUMINIZED SKIRT,
TYPE 72529 FILTER FRAME AND TYPE 500350
C-CLAMP AND ADAPTER.



Mole-Richardson Co.

TYPE 7251

7,200 WATT SIX LIGHT MAXICOOP™



SPECIFICATIONS

HEAD: Type 7251, 7,200 watts.
RATING: 120/240 volts, A.C. or D.C., 60 amps max.—6,000/7,200 watts max.
CONNECTOR: Panel Mount Socapex, 6 circuit.
SOCKETS: Mogul End-Prong PAR 64.
CONSTRUCTION: Rugged construction of solid and perforated sheet aluminum.
YOKE: Tubular steel with removable 1 1/8" steel yoke pin, rope hanger and tag line points.
FINISH: Clear anodized aluminum/maroon powder coated enamel.
SIZE: 9 1/4" x 42 1/2" x 21 1/2" (w/o removable yoke pin).
SIZE: 9 1/4" x 42 1/2" x 25 1/2" (w/removable yoke pin).
HEAD WEIGHT: 27 lbs.
HEAD WEIGHT: 40 lbs. (w/globes)
HEAD WEIGHT: 64 lbs. (w/globes, accessory holder and filter frame)

ACCESSORIES

- 72518 Accessory Holder (7" h x 49" w x 37" d)
- 72552 Aluminized Skirt (Two piece set) (Aluminized Pre-ox/Flame Resistant)
- G1275 Accessory Holder Bag (7" h x 51" w x 38" d)
- 72529 Filter Frame (48" w x 36" d)
- 72551 Solid Skirt Extension Set (48" h x 48" w x 36" d) (Adjustable to 48" Long) (Set of 4 sides)
- 72553 MaxiCoop Cart (Stacks up to 6 high)
- 72561 Extended Pass Thru Yoke (For stand mount)
- 500350 C-Clamp and Adapter
- 26120 C-Clamp and Hanger (2 required)
- 73920 Safety Screen (Optional)
- 72978 Socapex to 60 Amp Bates (1 circuit)
- 72956 Socapex to 2-60 Amp Bates (2 circuit)
- 72861 Socapex to 100 Amp Bates (1 circuit)

GLOBE TABLE

Base, extended mogul end-prong. Burn any position. PAR 64 bulb.

Watts	Ordering Code	Color Temp. °K	Volts	Beam Pattern	Life Hours	Amps
1000	FFN	3200	120	VNSP	800	8.3
1000	FFP	3200	120	NSP	800	8.3
1000	FFR	3200	120	MFL	800	8.3
1000	FFS	3200	120	WFL	800	8.3
1000	FGM	Daylight	120	NSP	200	8.3
1000	FGN	Daylight	120	MFL	200	8.3
1200	GFC	3200	120	VNSP	400	10
1200	GFB	3200	120	NSP	400	10
1200	GFA	3200	120	MFL	400	10

Globes not included in price of lamp.
 See price list for complete details.

CABLE EXTENSIONS

- 5836 Socapex Cable — 25 ft.
- 5837 Socapex Cable — 50 ft.
- 5838 Socapex Cable — 100 ft.

PERFORMANCE DATA

Using 1,000 watt and 1,200 watt, 120 volt, 3200°K quartz globes.

Watts	Globe Code No. and Beam Pattern	12.5 foot distance			25 foot distance			37.5 foot distance			50 foot distance		
		Light FC	Lighted Area* in Feet		Light FC	Lighted Area* in Feet		Light FC	Lighted Area* in Feet		Light FC	Lighted Area* in Feet	
			Width	Height		Width	Height		Width	Height		Width	Height
1000	FFN Very Narrow Spot	5300	4.7	2.5	1325	9.5	5.1	589	14.2	7.7	331	19.0	10.3
	FFP Narrow Spot	4700	6.0	2.6	1175	12.0	5.3	522	18.0	8.0	294	24.0	10.6
	FFR Medium Flood	2870	6.0	2.6	718	12.0	5.3	319	18.0	8.0	179	24.0	10.6
	FFS Wide Flood	920	12.0	5.6	230	24.1	11.3	102	36.2	17.0	58	48.3	22.6
1200	GFC Very Narrow Spot	11070	3.3	2.5	2768	6.7	5.0	1230	10.0	7.5	692	13.3	10.0
	GFB Narrow Spot	8130	3.5	2.7	2033	7.0	5.3	903	10.5	8.0	508	14.0	10.7
	GFA Medium Flood	3600	6.0	4.0	900	12.0	8.0	400	18.0	10.5	225	24.0	16.0
	GFE Wide Flood	1600	10.4	5.3	400	20.8	10.7	178	31.3	16.0	100	41.7	21.3

*Light tapers smoothly at edge of field. Dimensions listed define flat area boundaries at which the intensities are approximately 50% of tabulated intensities at beam center. Values listed are with globe modules pointing straight forward and individual globes positioned for maximum width and minimum height of their respective beams.

DIFFUSION DATA (Samples using Tough Spun, Double 216 and Double Full Grid Cloth).

Feet	1,000 Watt Very Narrow Globe			1,000 Watt Narrow Globe			1,000 Watt Medium Globe			1,000 Watt Wide Globe		
	Tough Spun	Double 216	Double Grid	Tough Spun	Double 216	Double Grid	Tough Spun	Double 216	Double Grid	Tough Spun	Double 216	Double Grid
0	266 FC	200 FC	80 FC	266 FC	200 FC	78 FC	224 FC	184 FC	74 FC	172 FC	160 FC	75 FC
12.5	9.5hx8.3w	12.3hx12.5w	18.6hx19.0w	9.3hx8.3w	11.6hx12.0w	18.6hx17.5w	10.6hx10.1w	11.2hx12.5w	18.5hx18.6w	13.0hx14.0w	13.0hx14.0w	18.8hx19.0w
25	67 FC	50 FC	20 FC	67 FC	50 FC	20 FC	56 FC	46 FC	19 FC	43 FC	40 FC	18 FC
37.5	19.9hx16.6w	25.1hx24.6w	38.0hx37.3w	18.6hx16.6w	23.3hx24.0w	37.3hx35.0w	21.3hx20.3w	25.5hx25.0w	37.0hx37.3w	26.0hx28.0w	26.0hx28.0w	37.6hx38.0w
50	30FC	22 FC	9 FC	30FC	22 FC	9 FC	25 FC	20 FC	8 FC	19 FC	18 FC	8 FC
	28.5hx25.0w	37.0h x 37.5w	56.0hx57.0w	28.0hx25.0w	35.0hx36.0w	56.0hx52.5w	32.0hx30.5w	38.2hx37.5w	55.5hx56.0w	39.0hx42.0w	39.0hx42.0w	56.0hx57.0w
	17 FC	13 FC	5 FC	17 FC	13 FC	5 FC	14 FC	12 FC	5 FC	11 FC	10 FC	5 FC
	38.0hx33.3w	49.3hx50.3w	74.6hx76.0w	37.3hx33.3w	46.6hx48.0w	74.6hx70.0w	42.6hx40.6w	51.0hx50.0w	74.0hx74.6w	52.0hx56.0w	52.0hx56.0w	75.3hx76.0w

