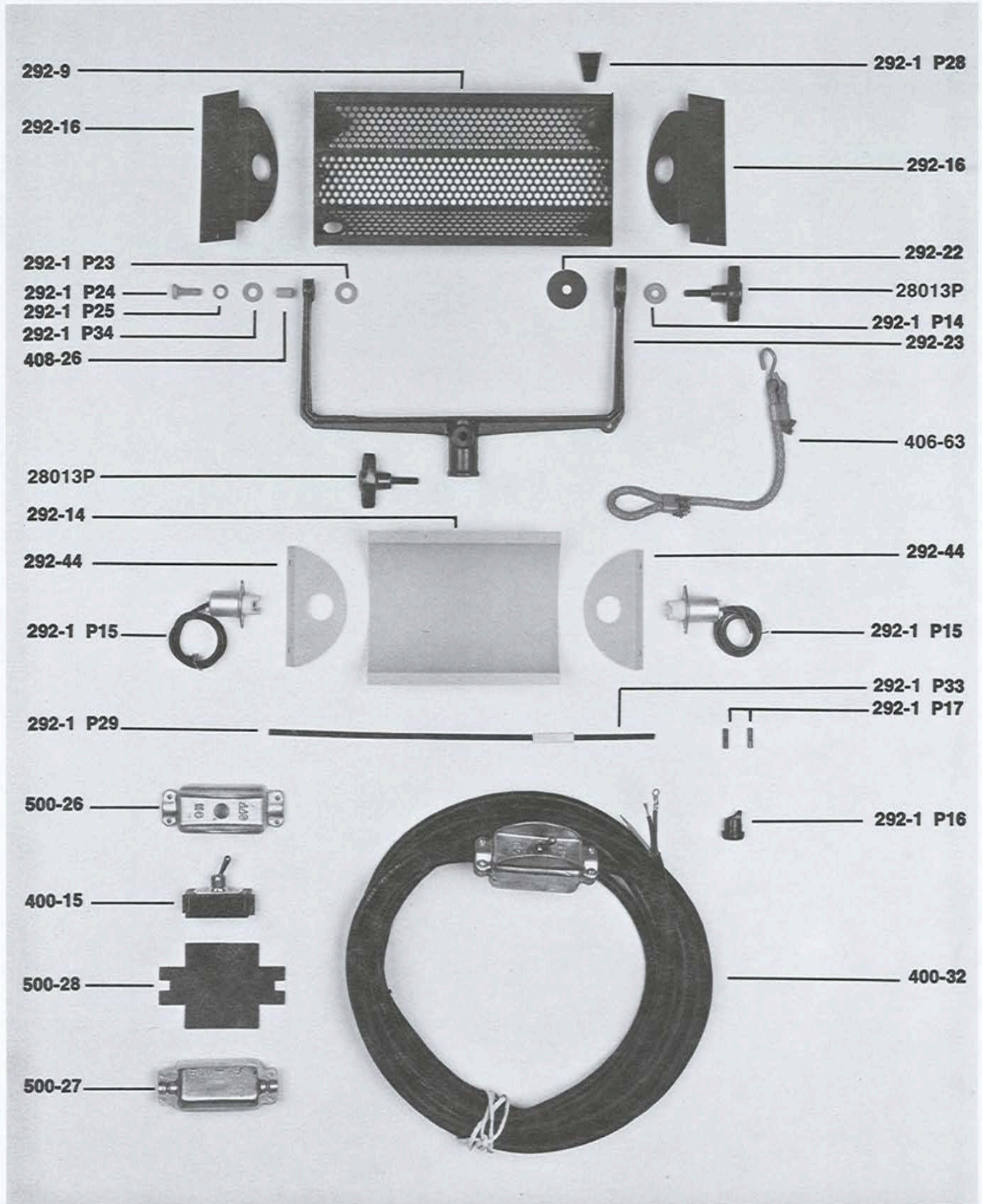




# PARTS FOR TYPE 2921 1,000 WATT MOLEQUARTZ® 1K NOOKLITE

2921A941



149



*Mole-Richardson Co.*



Tel. (323) 851-0111 Fax. (323) 851-5593 E-mail: info@mole.com Internet: http://www.mole.com 937 N. Sycamore Ave., Hollywood, California 90038-2384 U.S.A.

©Mole-Richardson Co., Hollywood, California U.S.A.