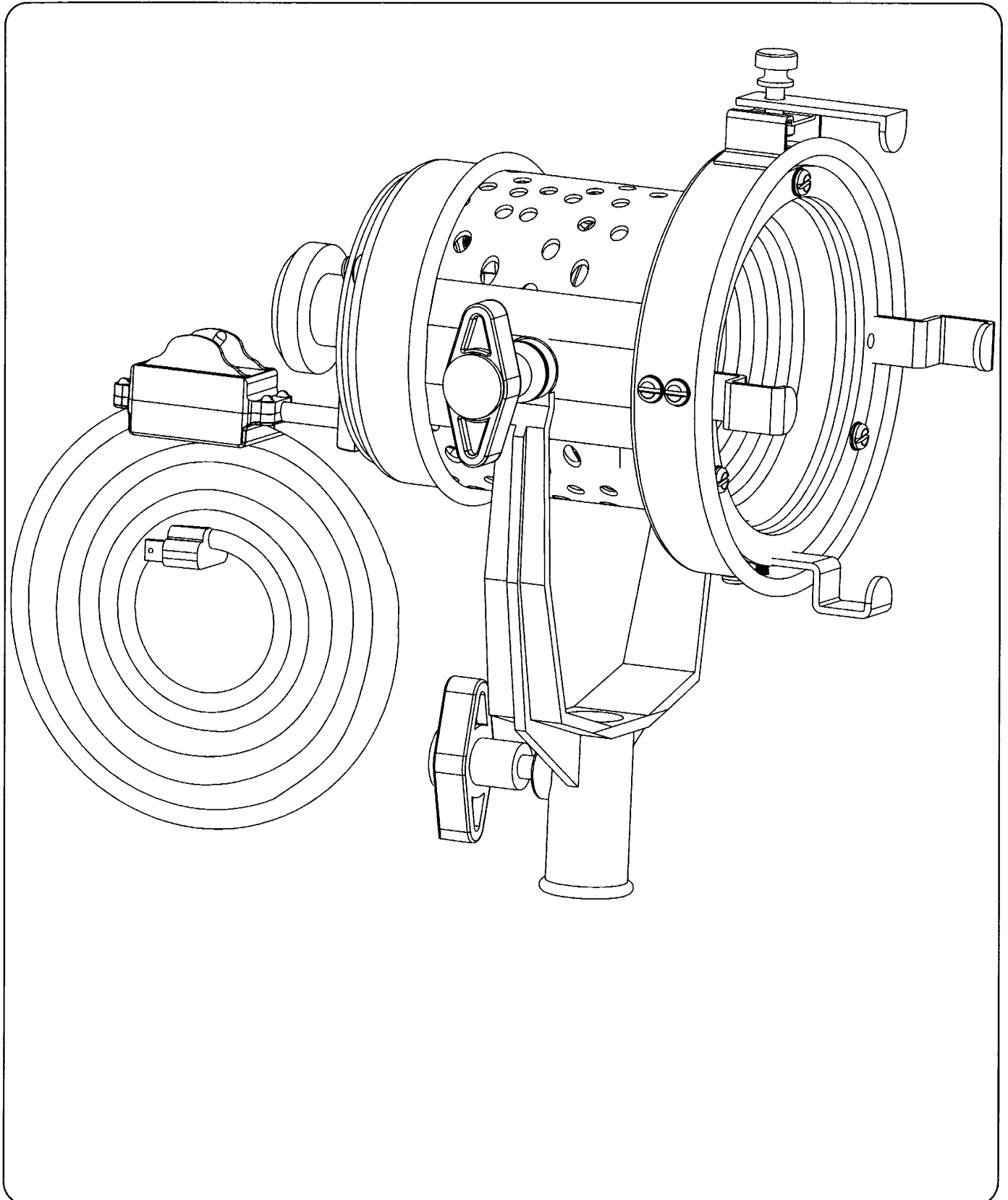




PARTS FOR TYPE 4031 600 WATT MOLEQUARTZ® TEENIE WEENIE



41



Mole-Richardson Co.



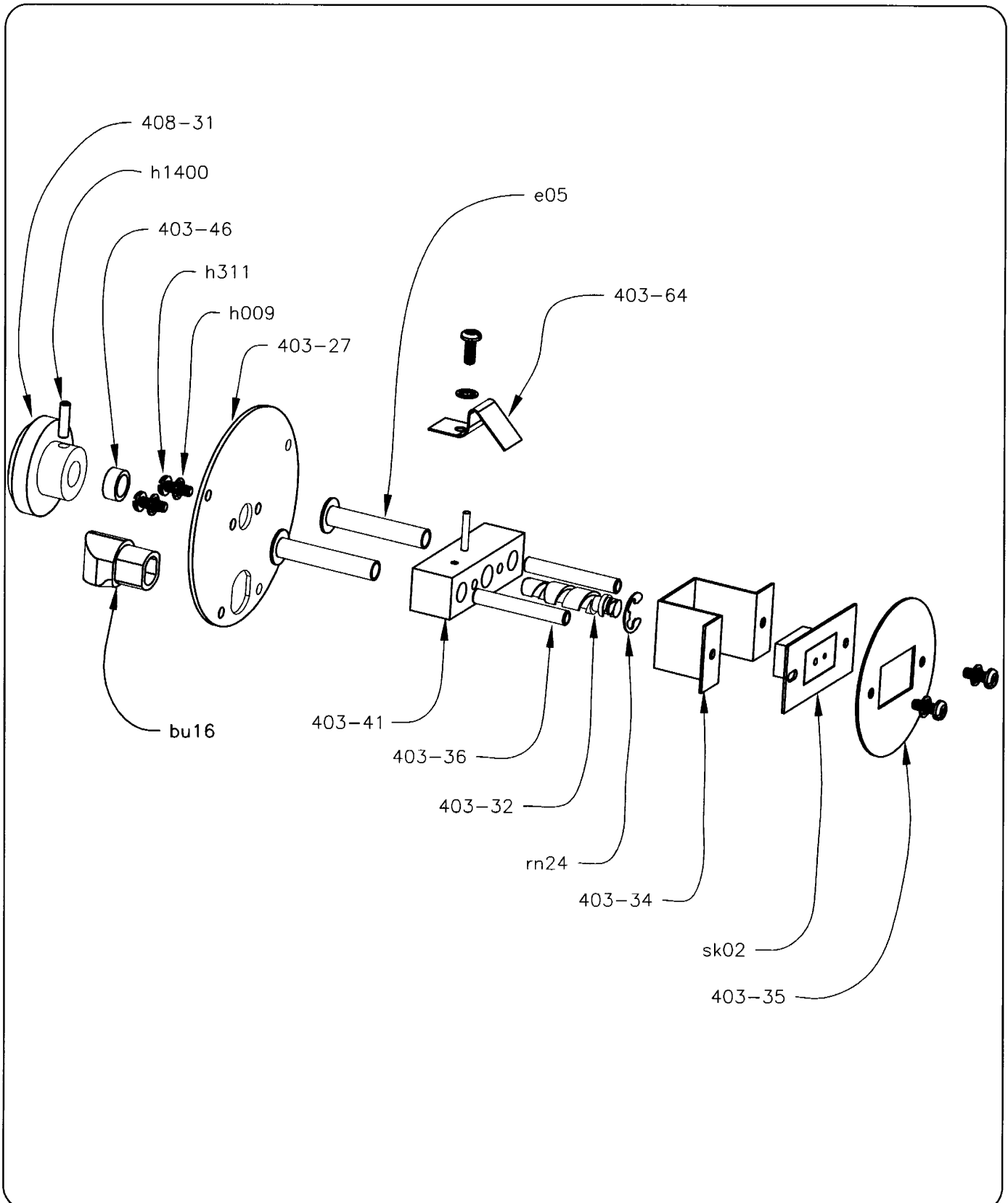
Tel. (323) 851-0111 Fax. (323) 851-5593 E-mail: info@mole.com Web: www.mole.com 937 N. Sycamore Ave., Hollywood, California 90038-2384 U.S.A.

©Mole-Richardson Co., Hollywood, California U.S.A.



PARTS FOR TYPE 4031 600 WATT MOLEQUARTZ® TEENIE WEENIE

42

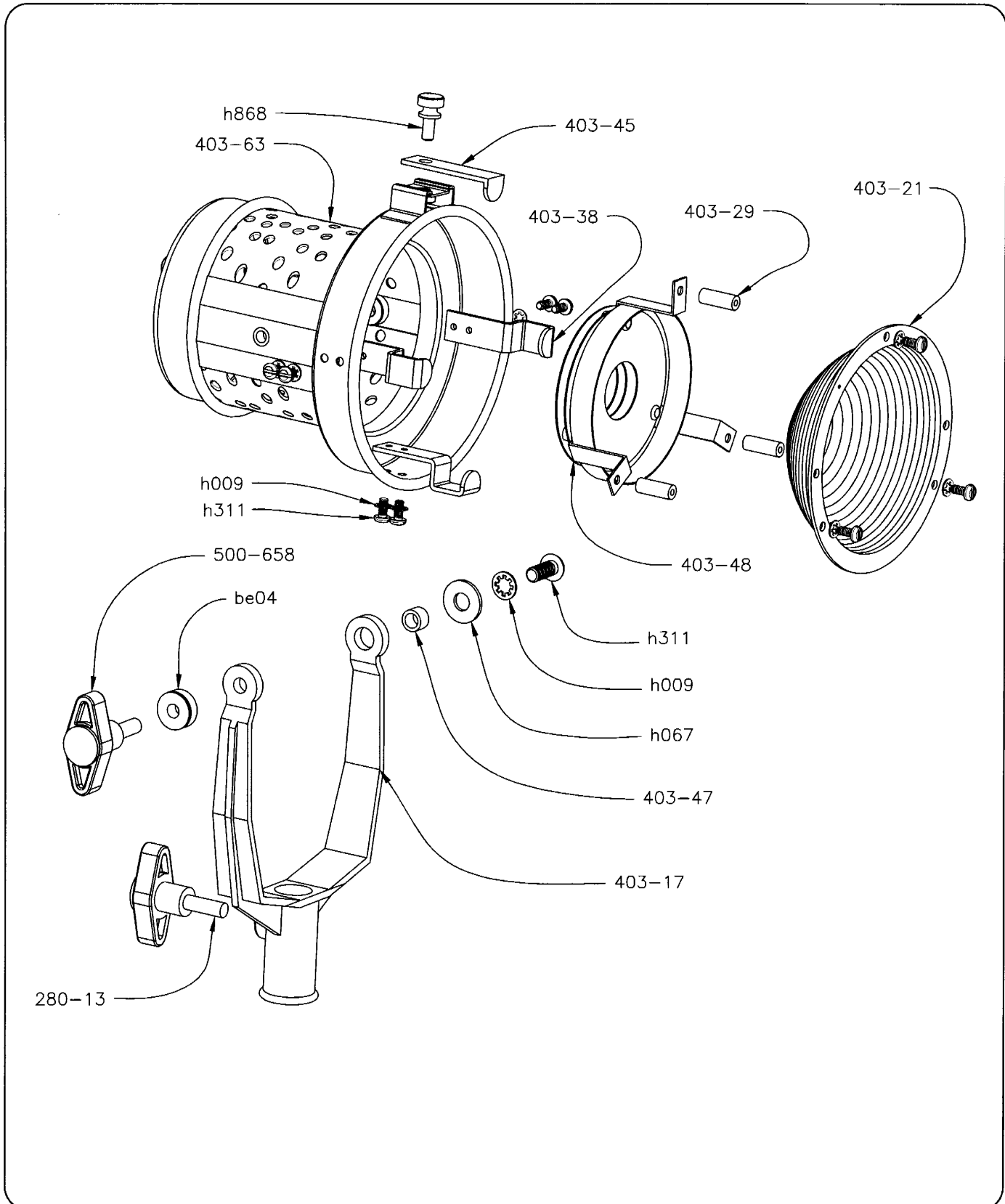


Mole-Richardson Co.





PARTS FOR TYPE 4031 600 WATT MOLEQUARTZ® TEENIE WEENIE

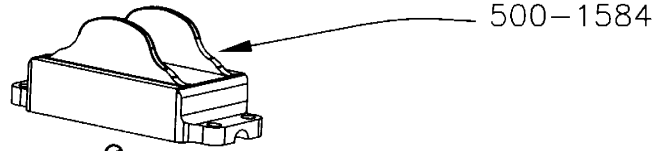


Mole-Richardson Co.

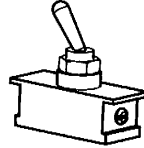




PARTS FOR TYPE 4031 600 WATT MOLEQUARTZ® TEENIE WEENIE



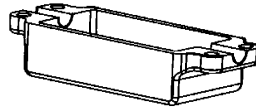
500-1584



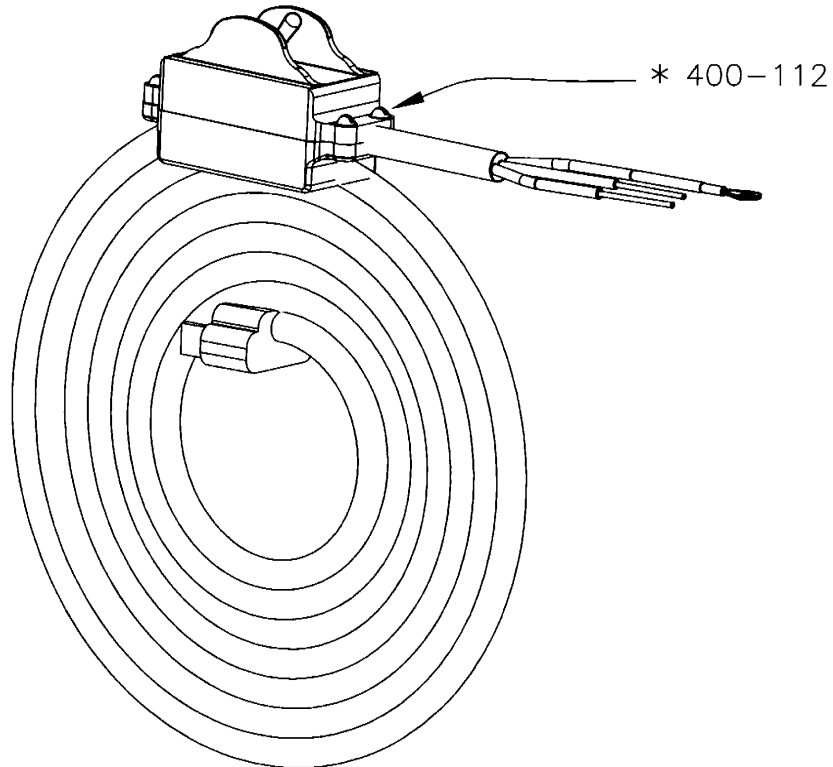
400-16



500-1585



500-1583



* 400-112

Complete switch & cable assembly

44



Mole-Richardson Co.



Tel. (323) 851-0111 Fax. (323) 851-5593 E-mail: info@mole.com Web: www.mole.com 937 N. Sycamore Ave., Hollywood, California 90038-2384 U.S.A.

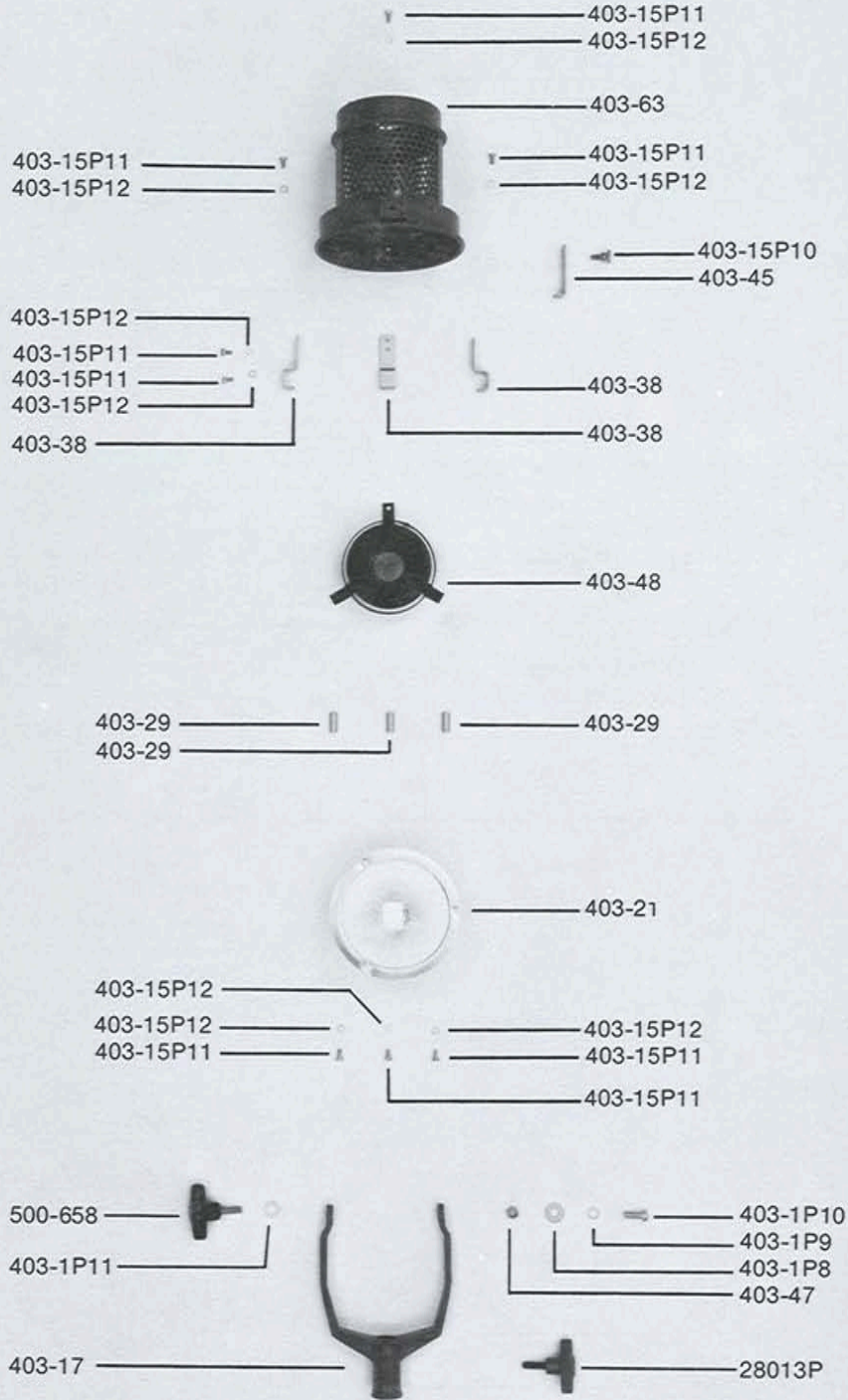
©Mole-Richardson Co., Hollywood, California U.S.A.



PARTS FOR TYPE 4031

600 WATT MOLEQUARTZ® TEENIE-WEENIE MOLE

4031A941



135



Mole-Richardson Co.



Tel. (323) 851-0111 Fax. (323) 851-5593 E-mail: info@mole.com Internet: http://www.mole.com 937 N. Sycamore Ave., Hollywood, California 90038-2384 U.S.A.

©Mole-Richardson Co., Hollywood, California U.S.A.

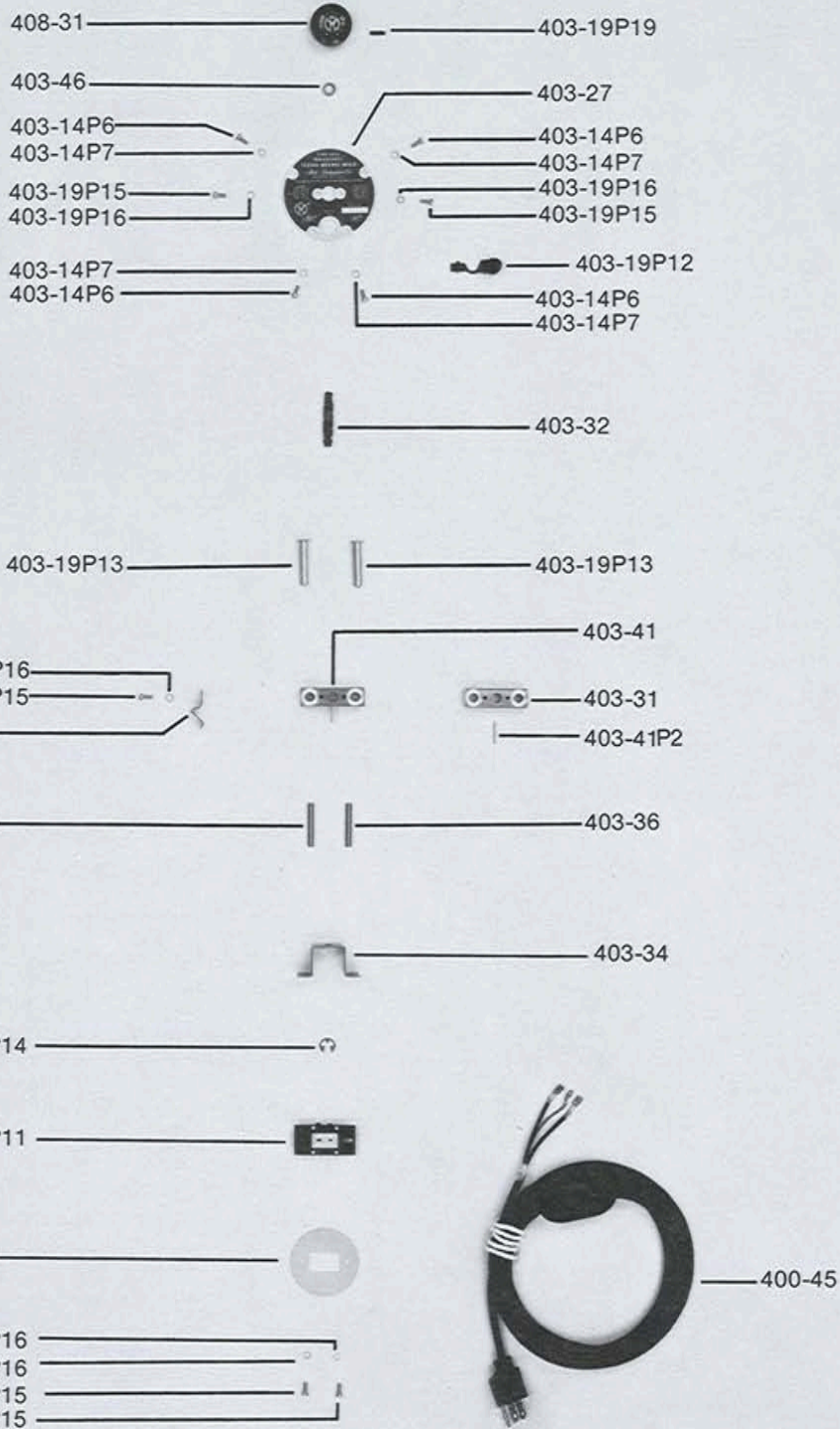


PARTS FOR TYPE 4031

600 WATT MOLEQUARTZ® TEENIE-WEENIE

MOLE

4031B941



136



Mole-Richardson Co.



Tel. (323) 851-0111 Fax. (323) 851-5593 E-mail: info@mole.com Internet: http://www.mole.com 937 N. Sycamore Ave., Hollywood, California 90038-2384 U.S.A.

©Mole-Richardson Co., Hollywood, California U.S.A.