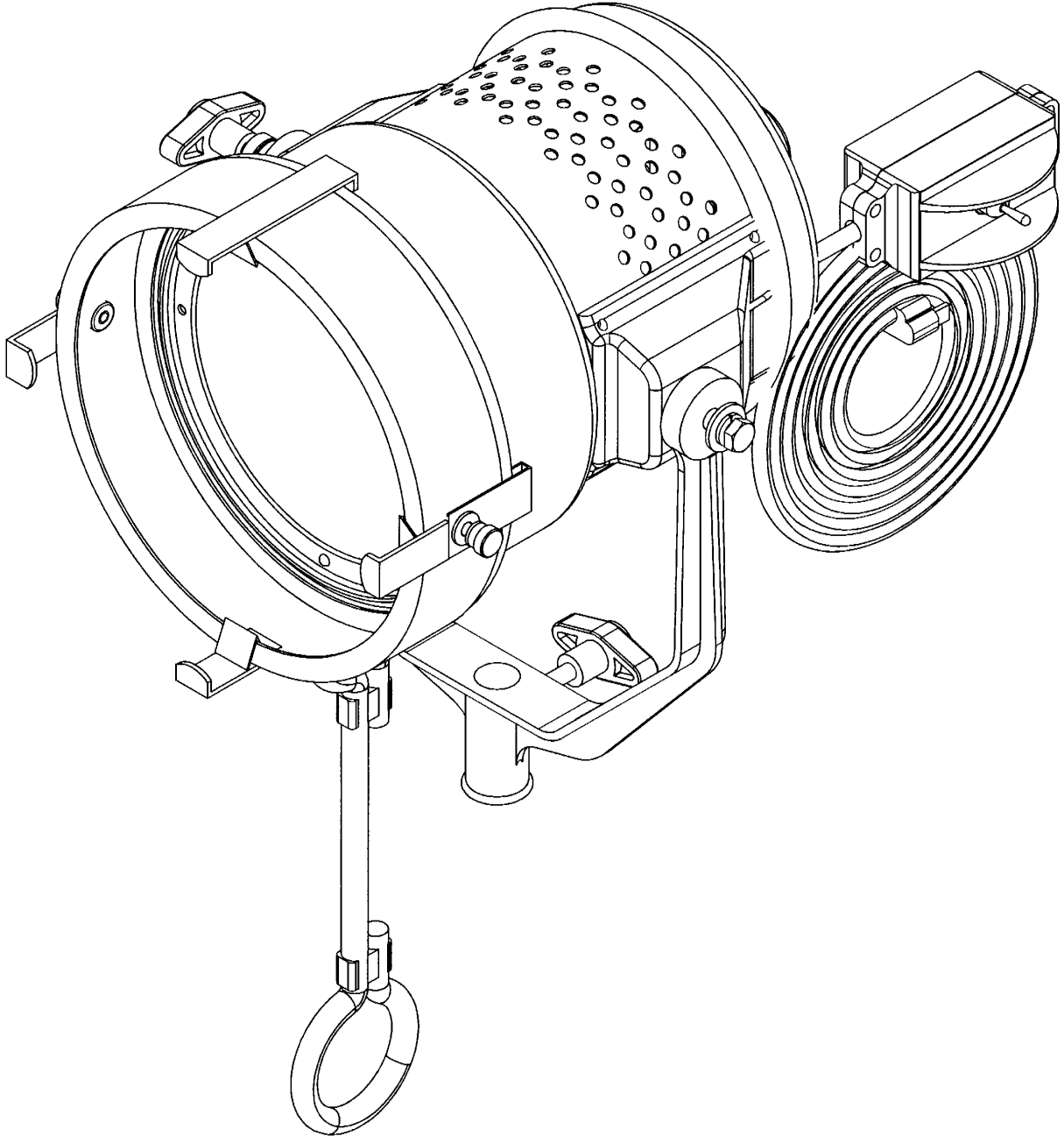




PARTS FOR TYPE 4081 Mickey-Mole®



55



Mole-Richardson Co.

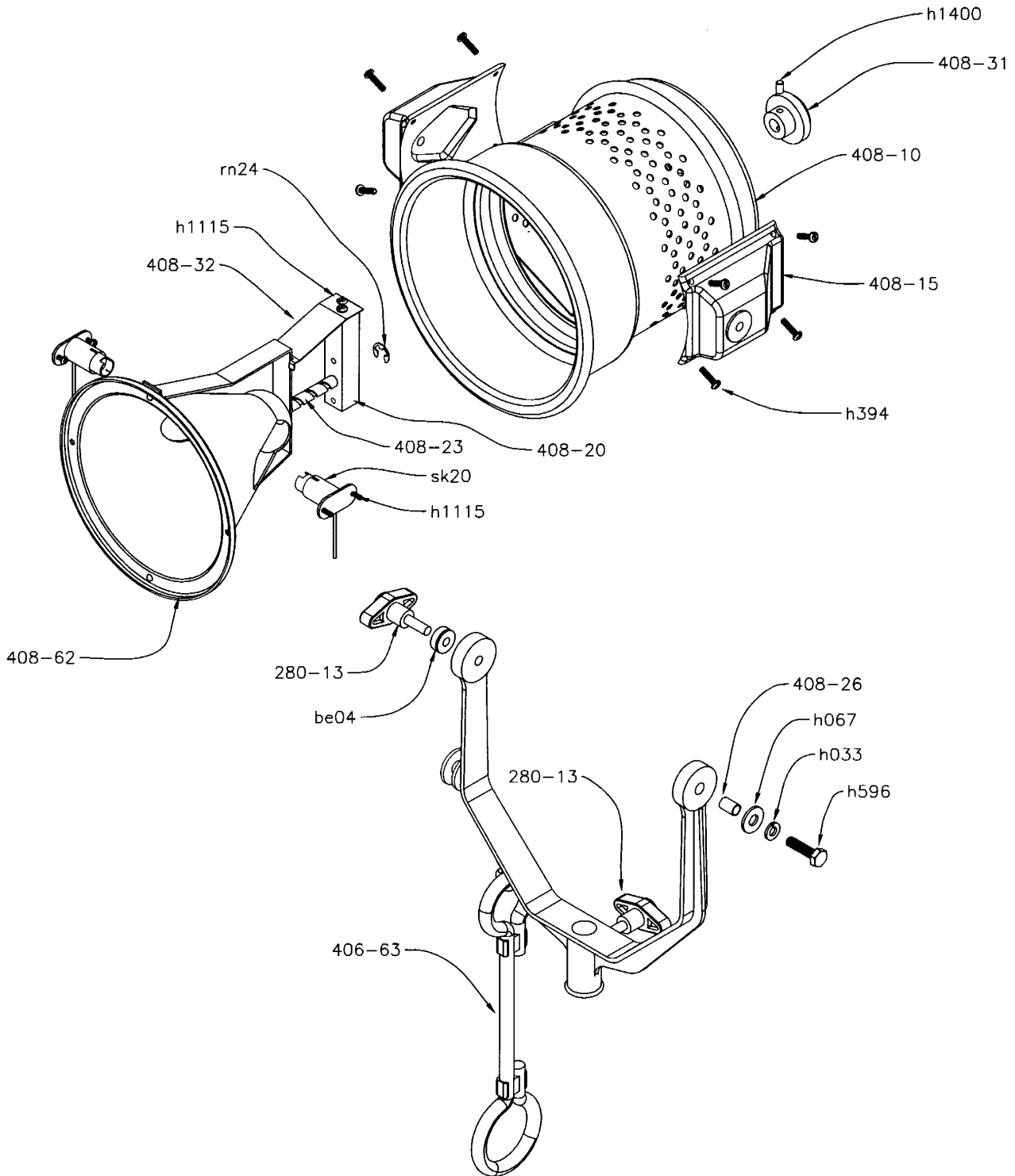


Tel. (323) 851-0111 Fax. (323) 851-5593 E-mail: info@mole.com Web: www.mole.com 937 N. Sycamore Ave., Hollywood, California 90038-2384 U.S.A.

©Mole-Richardson Co., Hollywood, California U.S.A.



PARTS FOR TYPE 4081 Mickey-Mole®



56

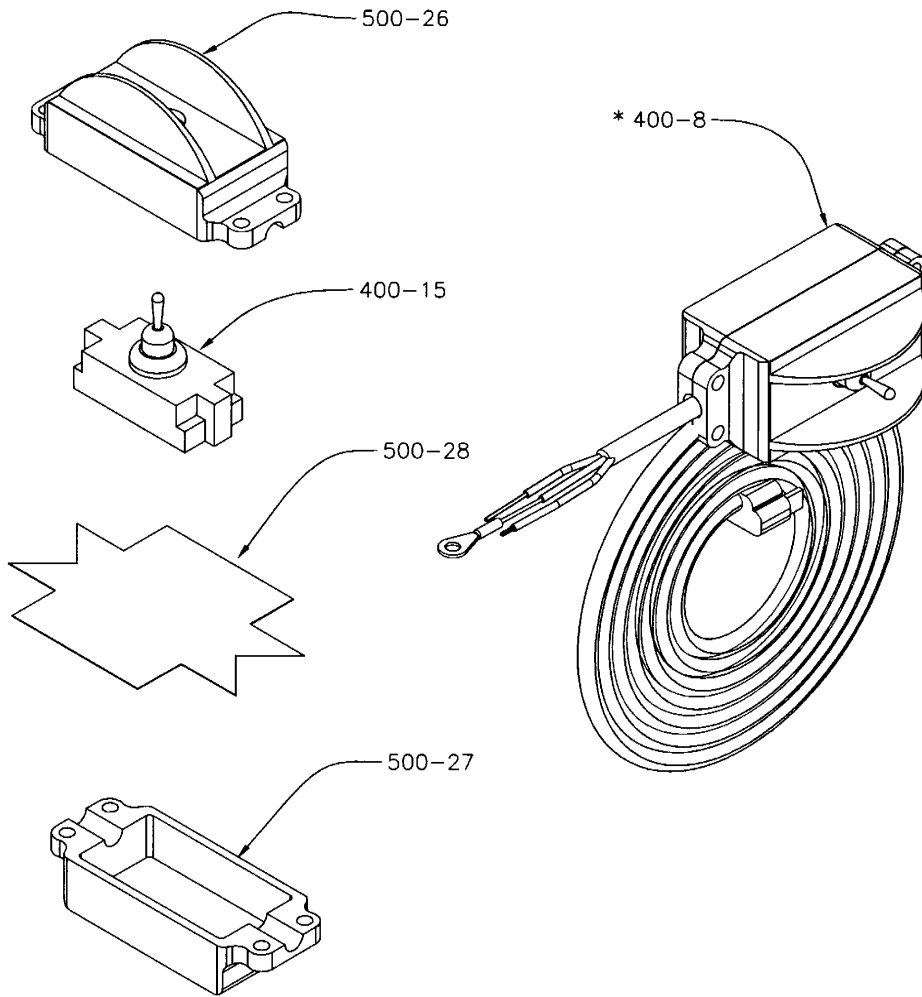


Mole-Richardson Co.





PARTS FOR TYPE 4081 Mickey-Mole®



*Complete switch & cable assembly



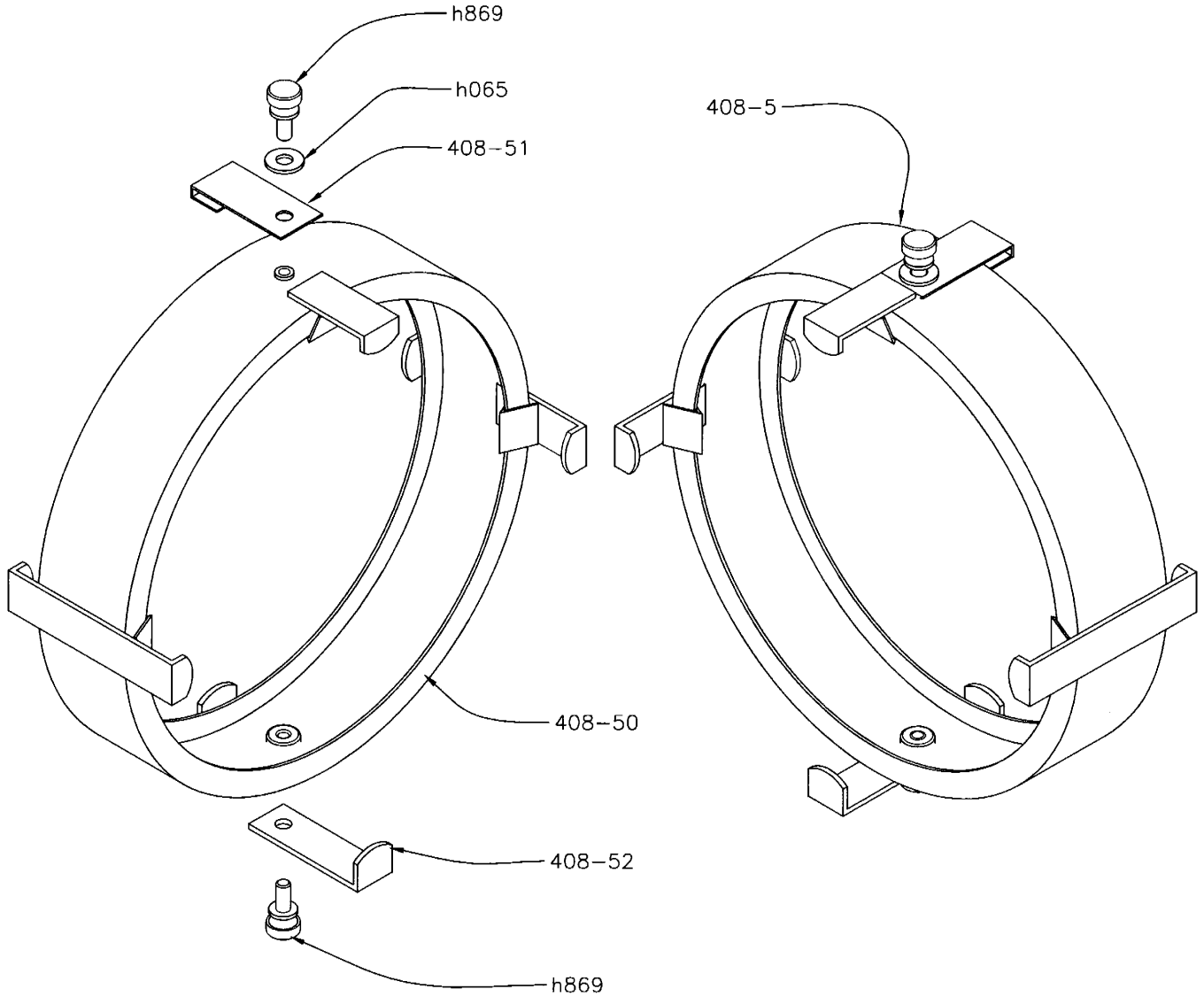
Mole-Richardson Co.





PARTS FOR TYPE 4081 Mickey-Mole®

58



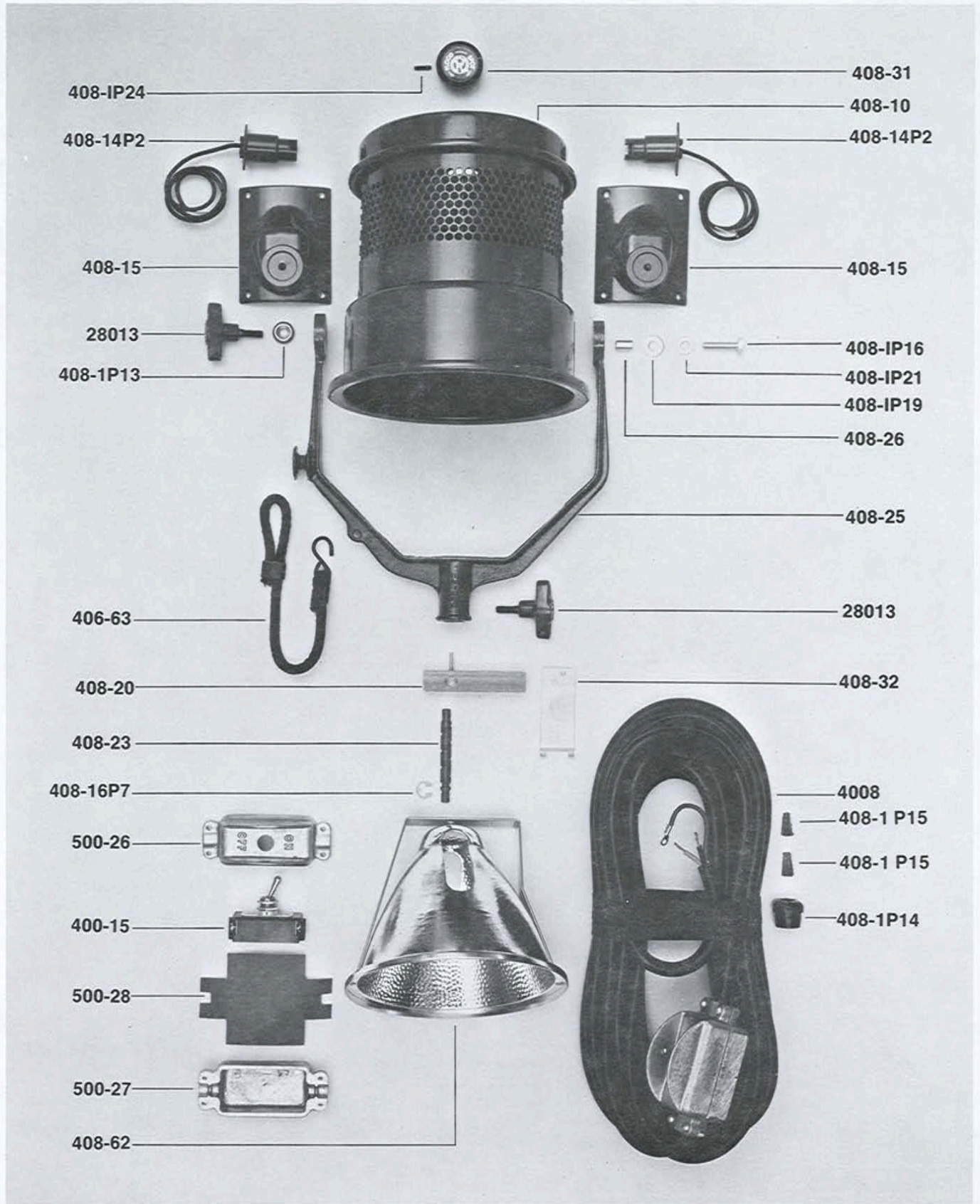
Mole-Richardson Co.





PARTS FOR TYPE 4081 1,000 WATT MOLEQUARTZ® MICKEY-MOLE

4081A941



139



Mole-Richardson Co.



Tel. (323) 851-0111 Fax. (323) 851-5593 E-mail: info@mole.com Internet: http://www.mole.com 937 N. Sycamore Ave., Hollywood, California 90038-2384 U.S.A.

©Mole-Richardson Co., Hollywood, California U.S.A.