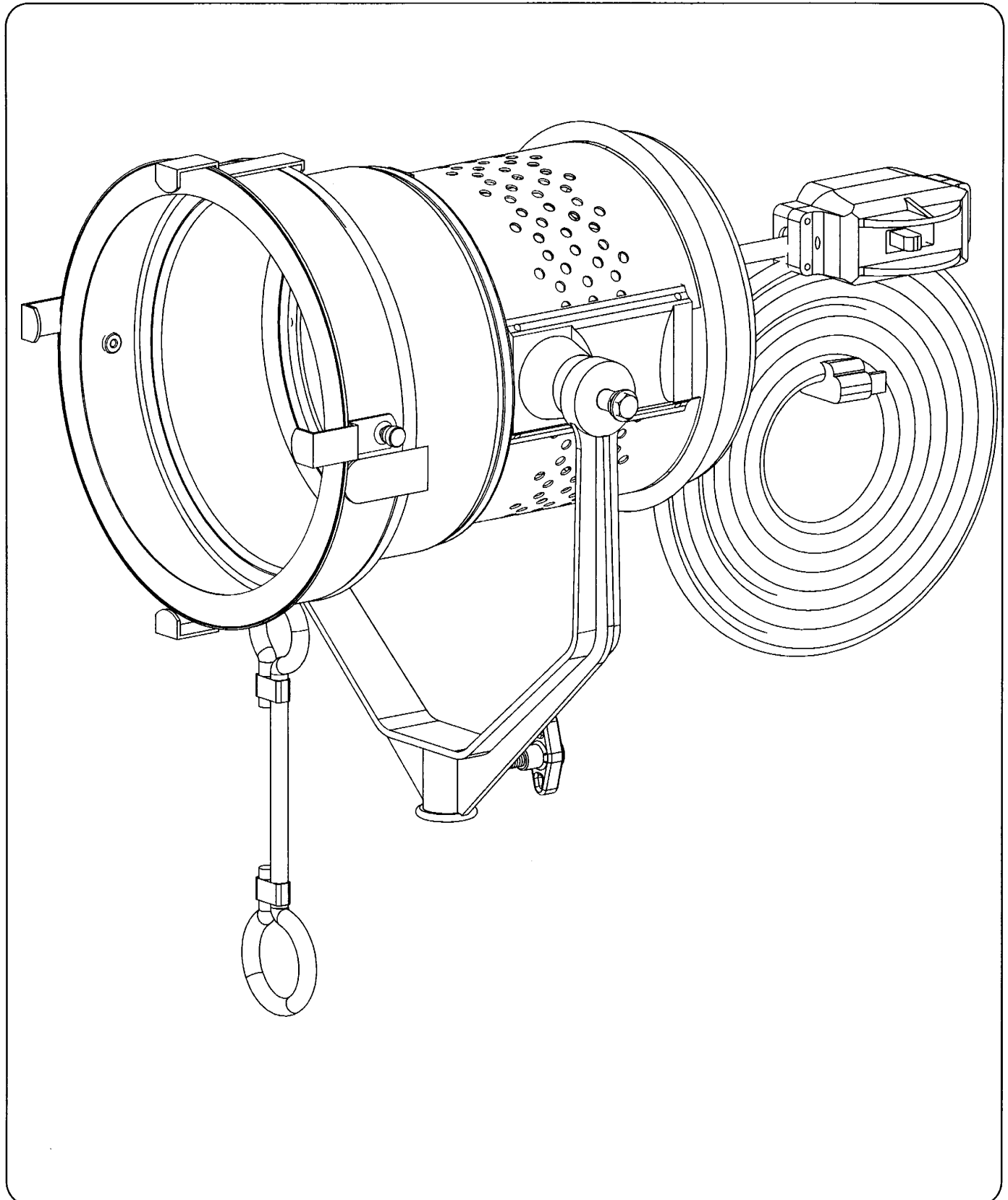




PARTS FOR TYPE 4091 2,000 WATT MOLEQUARTZ[®] MIGHTY-MOLE



59



Mole-Richardson Co.

Tel. (323) 851-0111 Fax. (323) 851-5593 E-mail: info@mole.com Web: www.mole.com 937 N. Sycamore Ave., Hollywood, California 90038-2384 U.S.A.

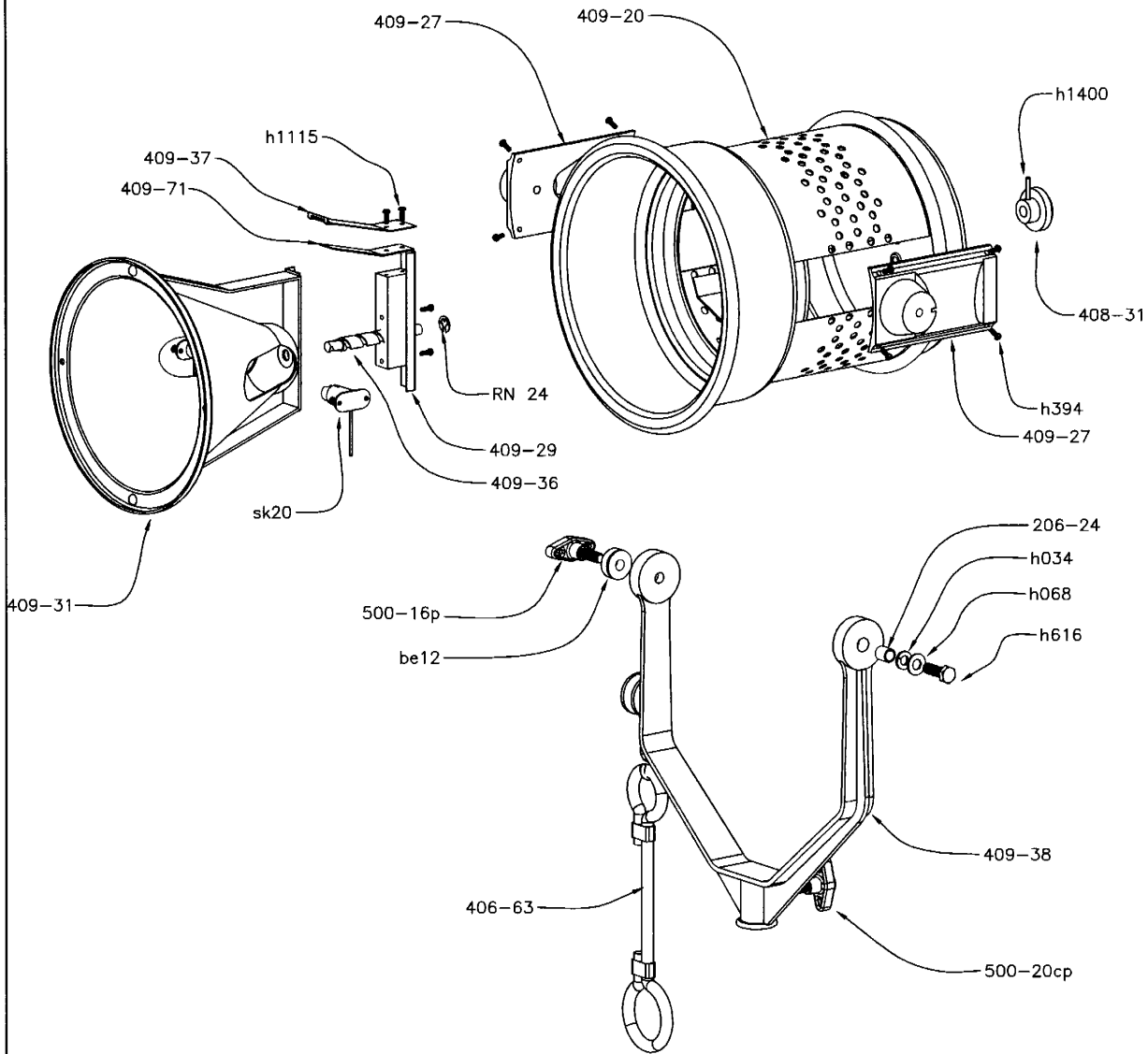
©Mole-Richardson Co., Hollywood, California U.S.A.



PARTS FOR TYPE 4091 2,000 WATT MOLEQUARTZ® MIGHTY-MOLE

parts for type 4091
mighty-mole®

order part number and quantity desired



60

mole-richardson

937 north sycamore ave.
hollywood, ca. 90038
tel:(323) 851-0111 fax:(323) 851-5593

e-mail: info@mole.com

www.mole.com



manufacturing · sales · rentals · audio depot · moletown

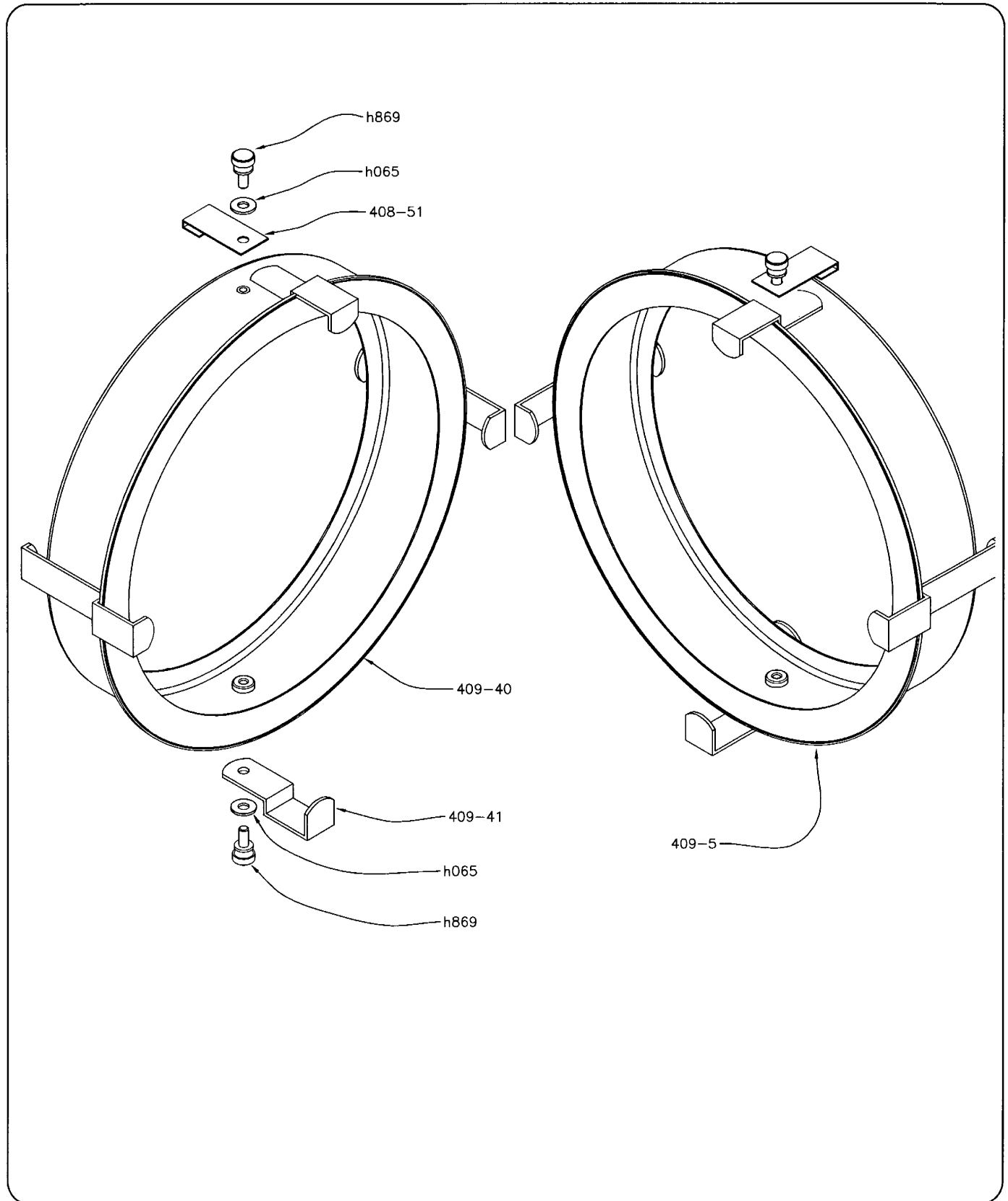
Mole-Richardson Co.

Tel. (323) 851-0111 Fax. (323) 851-5593 E-mail: info@mole.com Web: www.mole.com 937 N. Sycamore Ave., Hollywood, California 90038-2384 U.S.A.

©Mole-Richardson Co., Hollywood, California U.S.A.



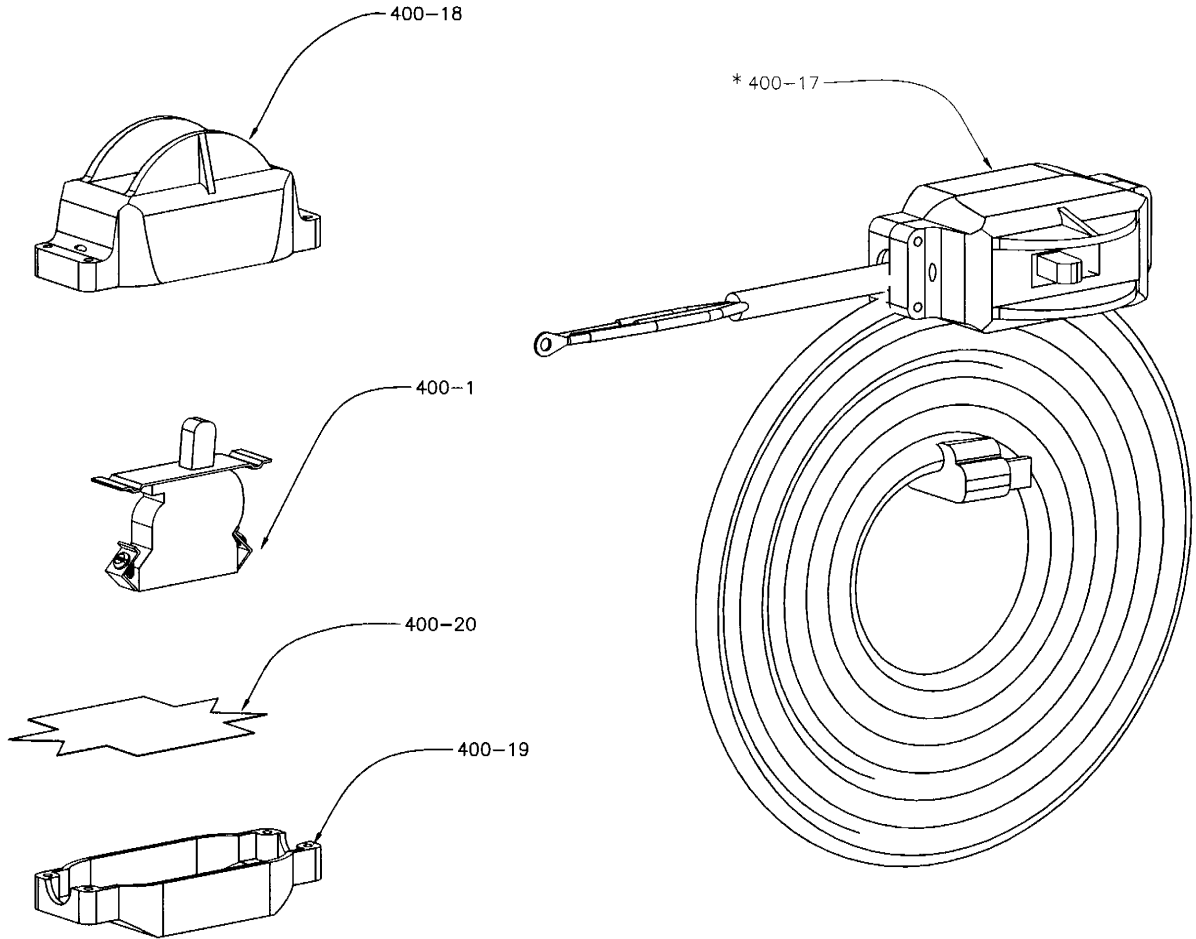
PARTS FOR TYPE 4091 2,000 WATT MOLEQUARTZ® MIGHTY-MOLE



Mole-Richardson Co.



PARTS FOR TYPE 4091 2,000 WATT MOLEQUARTZ[®] MIGHTY-MOLE



62

*Complete switch & cable assembly

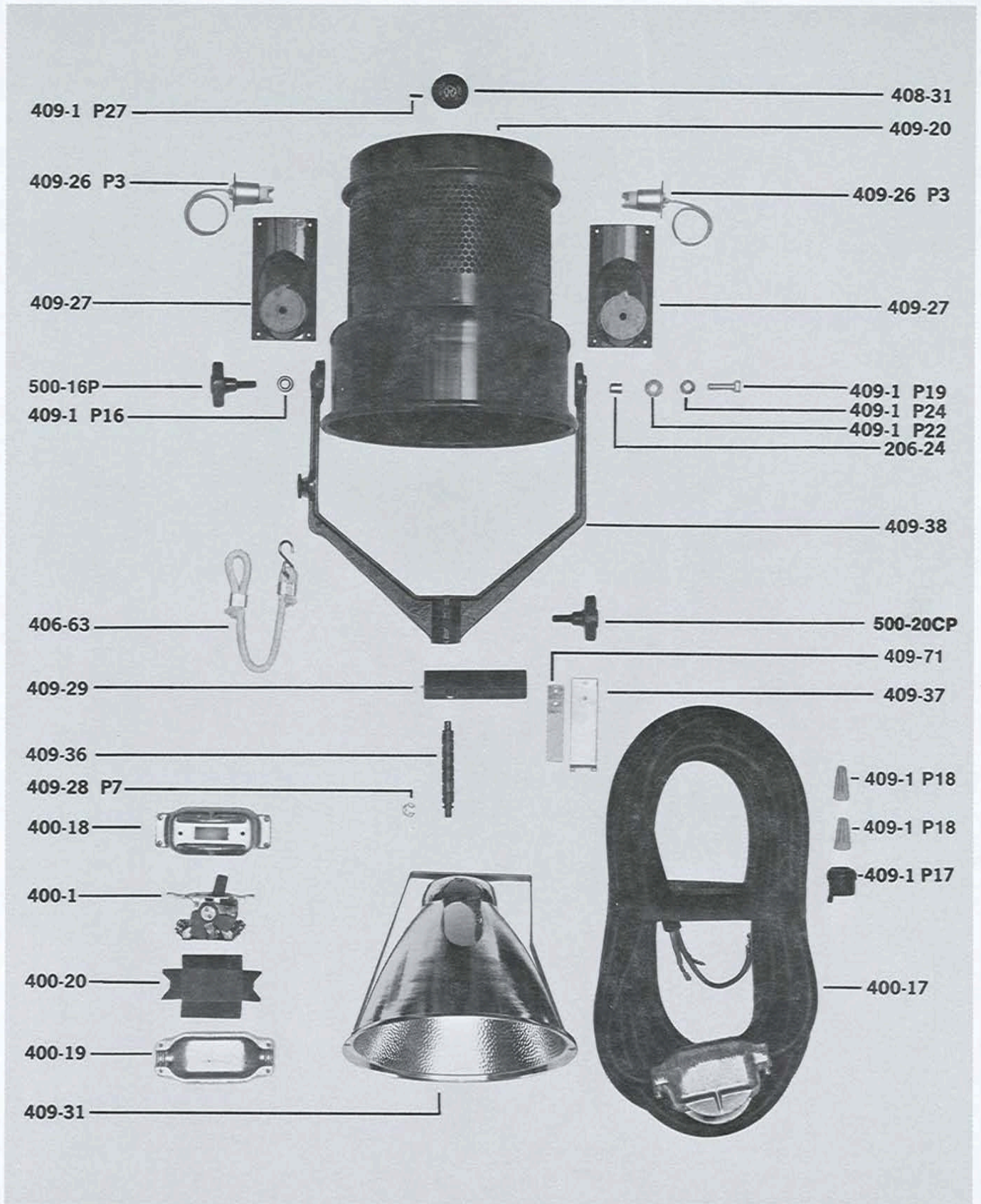


Mole-Richardson Co.



PARTS FOR TYPE 4091 2,000 WATT MOLEQUARTZ® MIGHTY-MOLE

4091A941



141



Mole-Richardson Co.



Tel. (323) 851-0111 Fax. (323) 851-5593 E-mail: info@mole.com Internet: http://www.mole.com 937 N. Sycamore Ave., Hollywood, California 90038-2384 U.S.A.

©Mole-Richardson Co., Hollywood, California U.S.A.