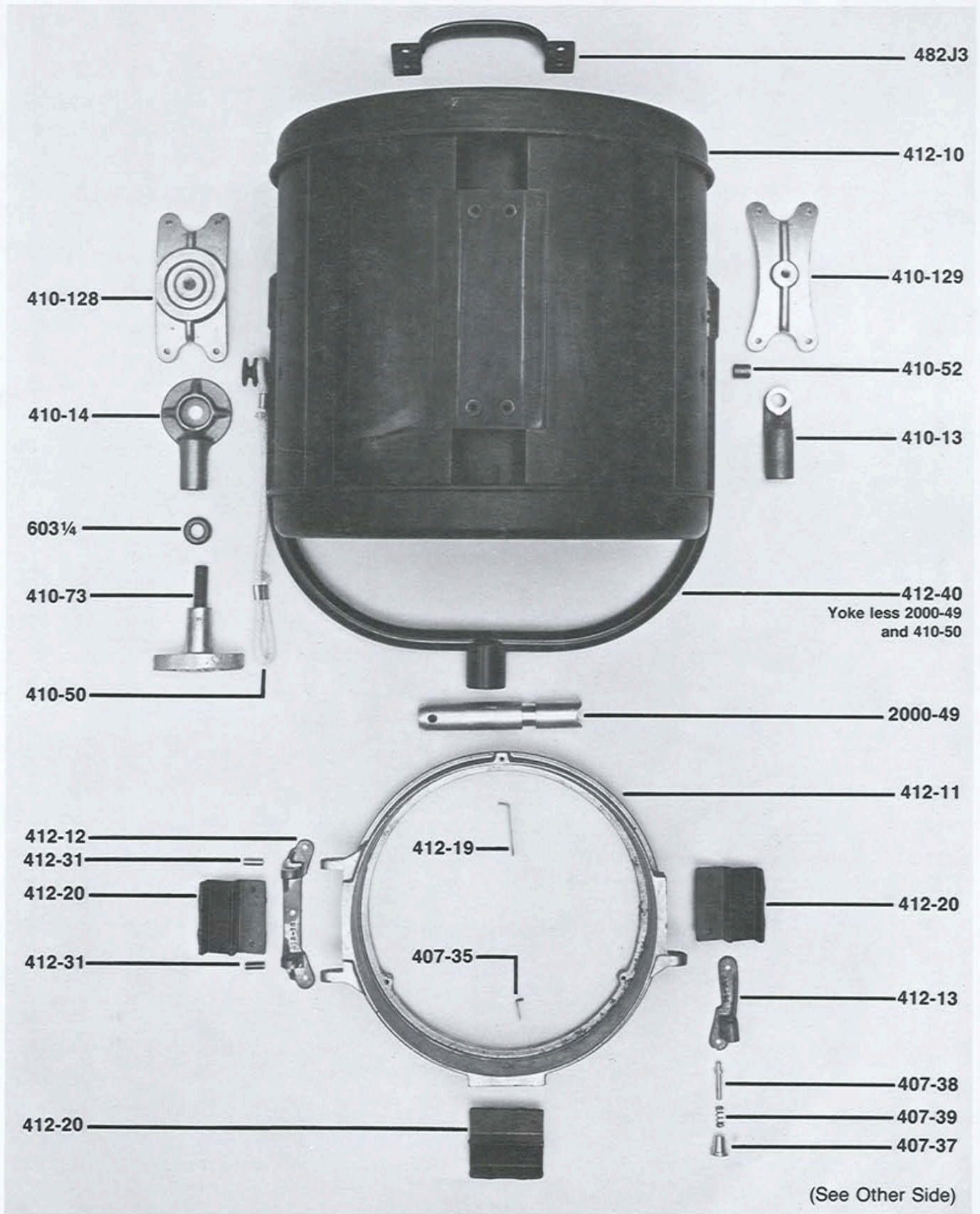




# PARTS FOR TYPE 412 2,000 WATT JUNIOR SOLARSPOT®

412A941

Used Ser. Nos. 1 Through 11,999



125



*Mole-Richardson Co.*



Tel. (323) 851-0111 Fax. (323) 851-5593 E-mail: info@mole.com Internet: http://www.mole.com 937 N. Sycamore Ave., Hollywood, California 90038-2384 U.S.A.

©Mole-Richardson Co., Hollywood, California U.S.A.

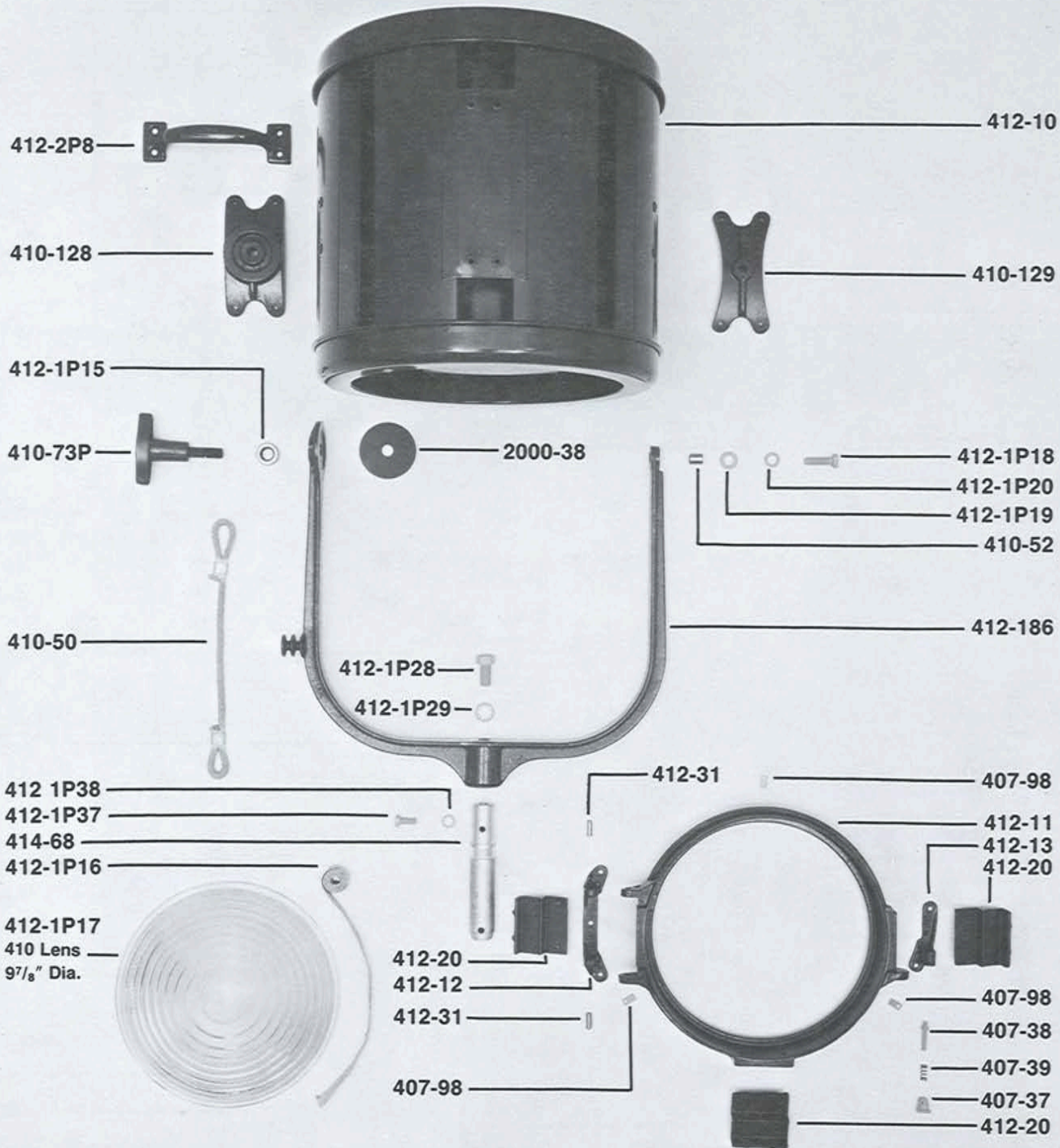


# PARTS FOR TYPE 412 2,000 WATT JUNIOR SOLARSPOT®

412B941

Used Ser. Nos. 12,000 And Up

126



NOT SHOWN: 412-11 LENS GUARD AND 634-319 KIT



*Mole-Richardson Co.*



Tel. (323) 851-0111 Fax. (323) 851-5593 E-mail: info@mole.com Internet: http://www.mole.com 937 N. Sycamore Ave., Hollywood, California 90038-2384 U.S.A.

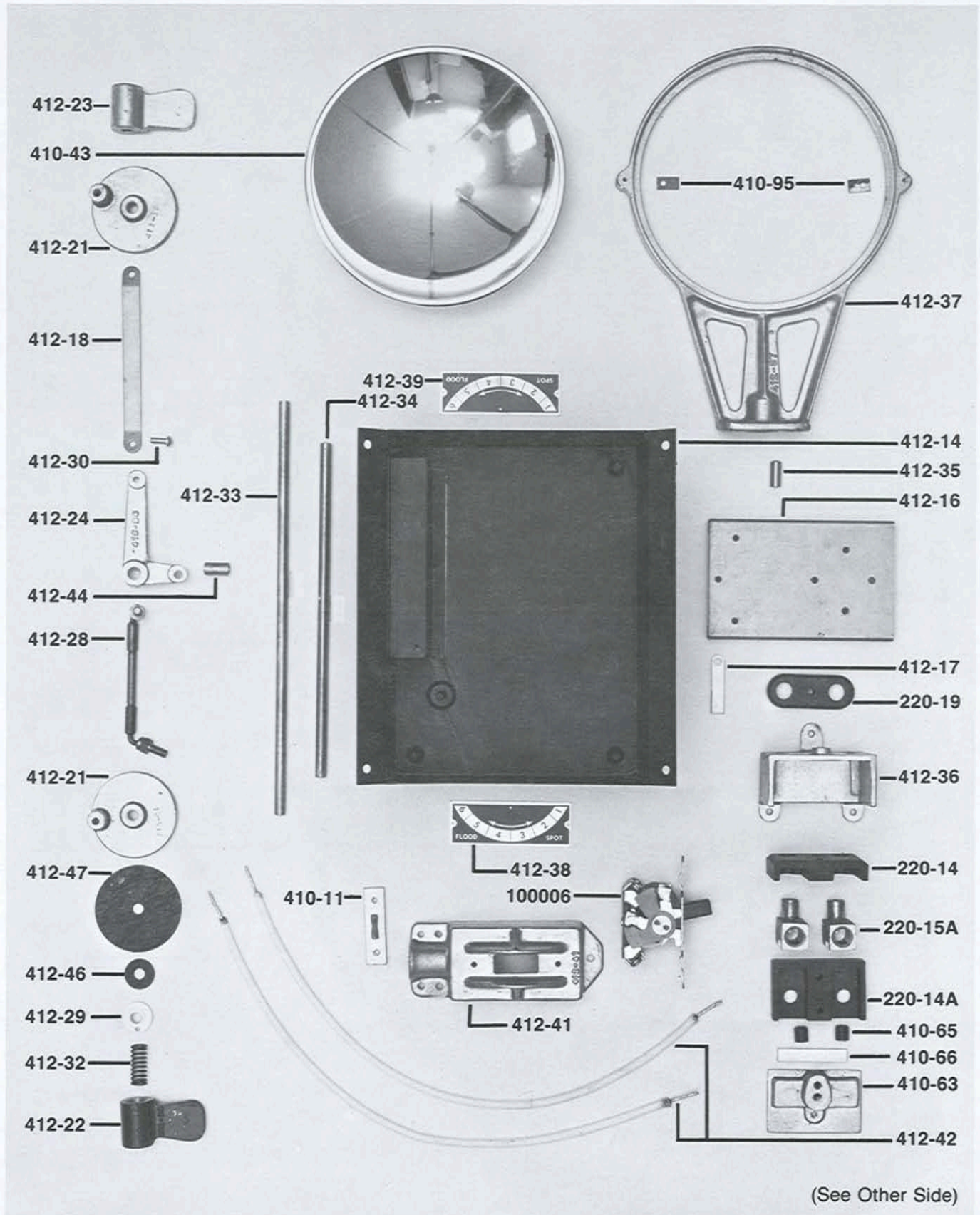
©Mole-Richardson Co., Hollywood, California U.S.A.



# PARTS FOR TYPE 412 2,000 WATT JUNIOR SOLARSPOT®

412C941

Used Ser. Nos. 1 Through 11,999



127



*Mole-Richardson Co.*



Tel. (323) 851-0111 Fax. (323) 851-5593 E-mail: info@mole.com Internet: http://www.mole.com 937 N. Sycamore Ave., Hollywood, California 90038-2384 U.S.A.

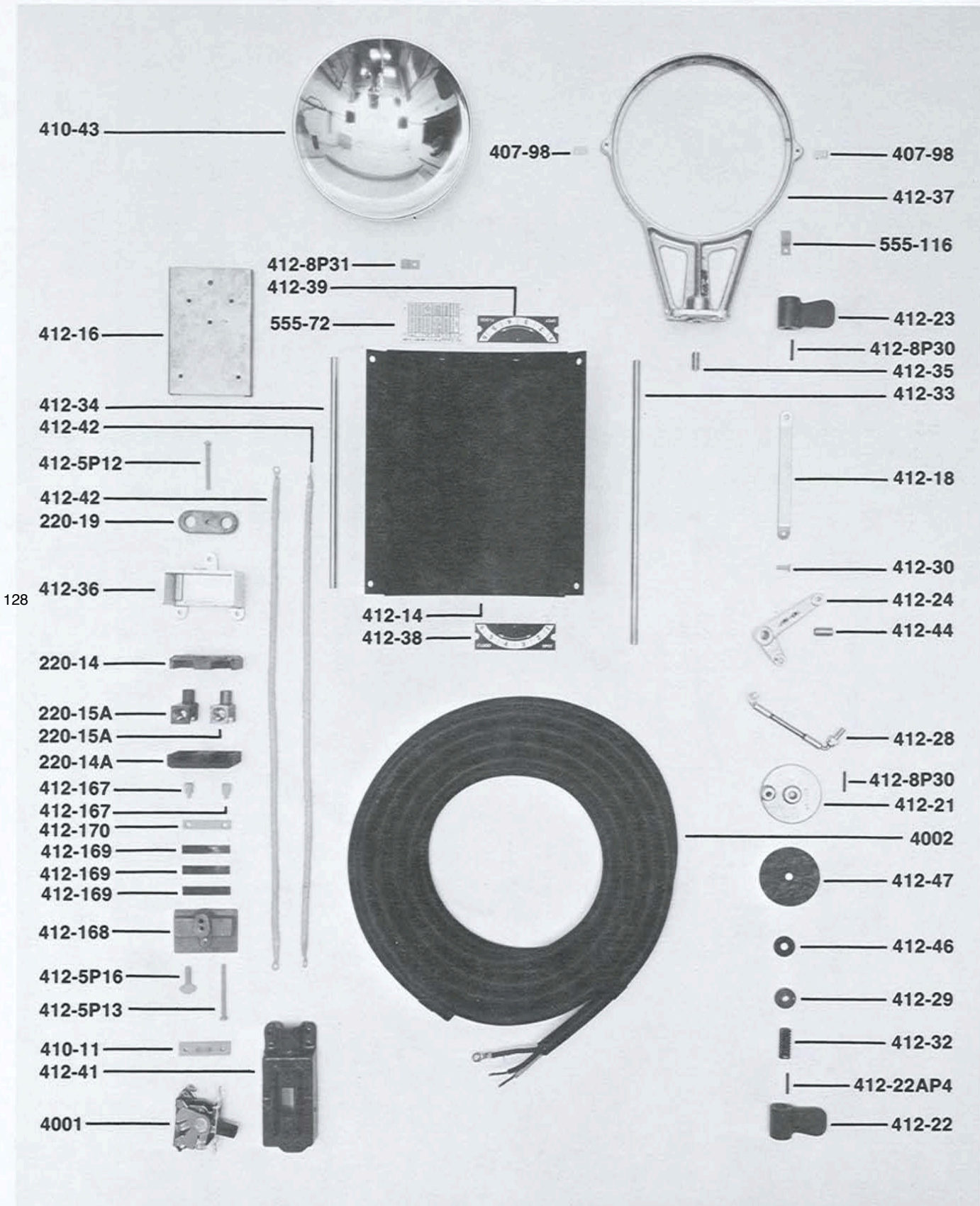
©Mole-Richardson Co., Hollywood, California U.S.A.



# PARTS FOR TYPE 412 2,000 WATT JUNIOR SOLARSPOT®

412D941

Used Ser. Nos. 12,000 And Up



*Mole-Richardson Co.*

