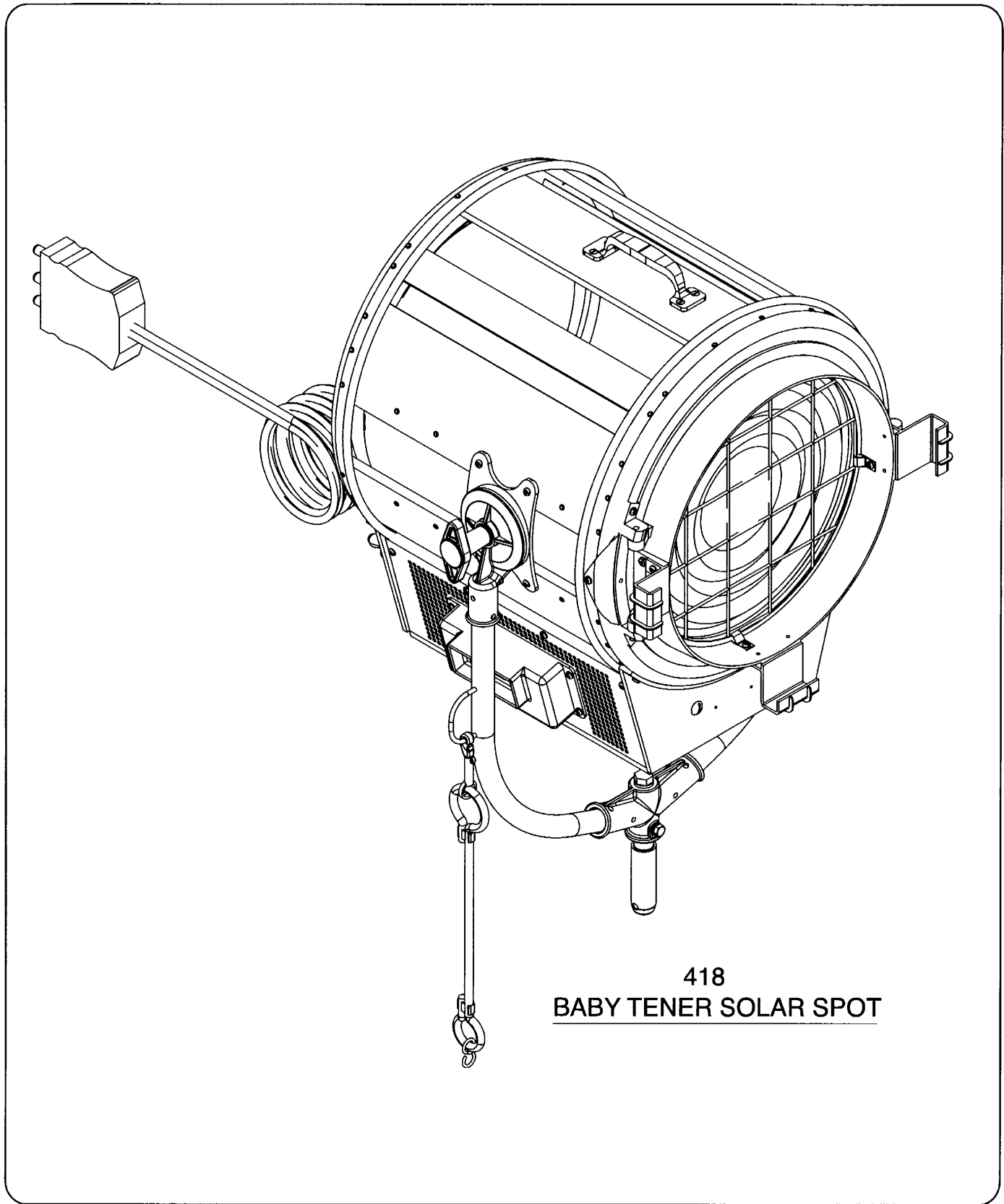




PARTS FOR TYPE 4181 BABY TENER SOLARSPOT®



63

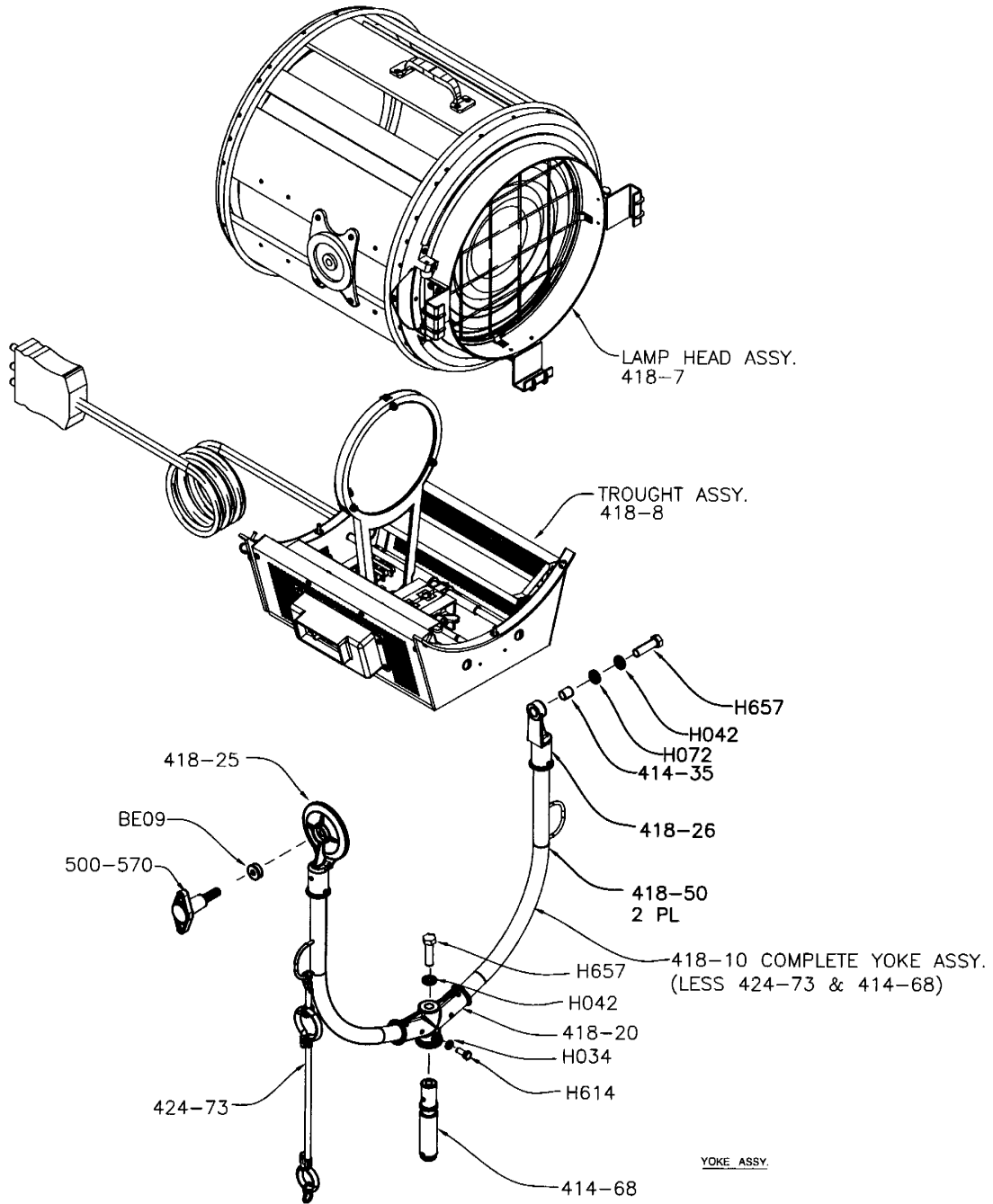
418
BABY TENER SOLAR SPOT



Mole-Richardson Co.



PARTS FOR TYPE 4181 BABY TENER SOLARSPOT®



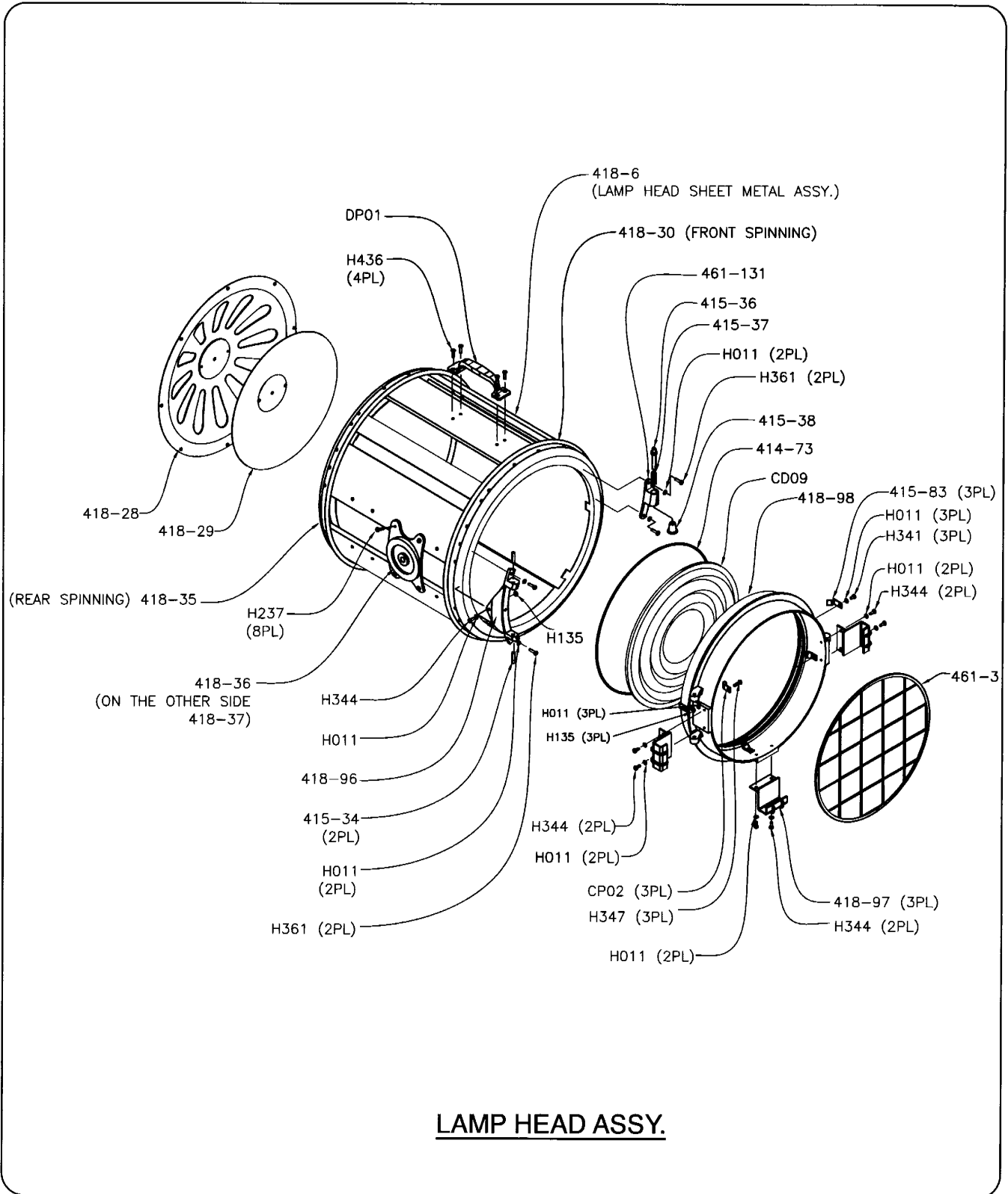
64



Mole-Richardson Co.



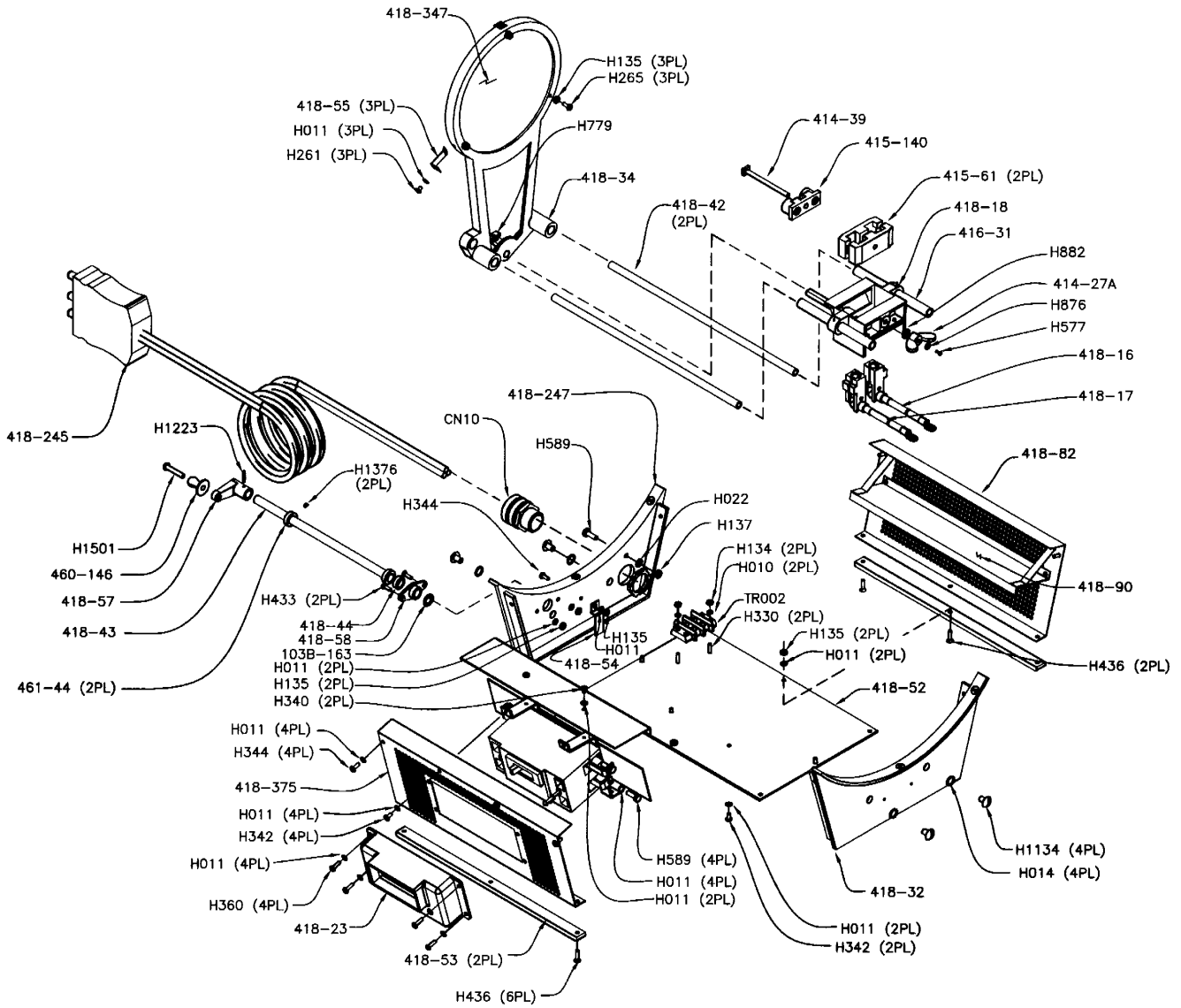
PARTS FOR TYPE 4181 BABY TENER SOLARSPOT®



Mole-Richardson Co.



PARTS FOR TYPE 4181 BABY TENER SOLARSPOT®



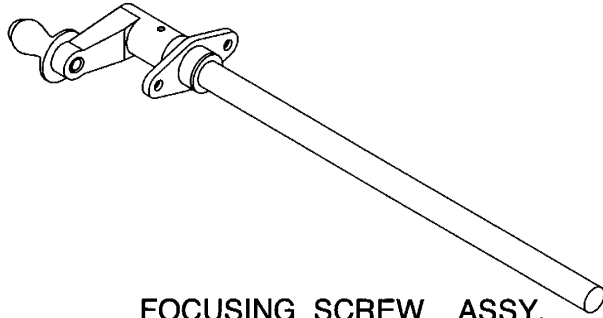
TROUGH ASSY.



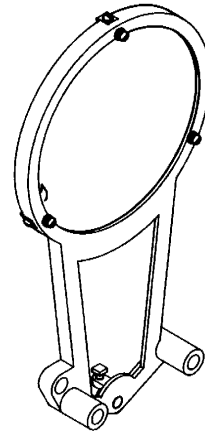
Mole-Richardson Co.



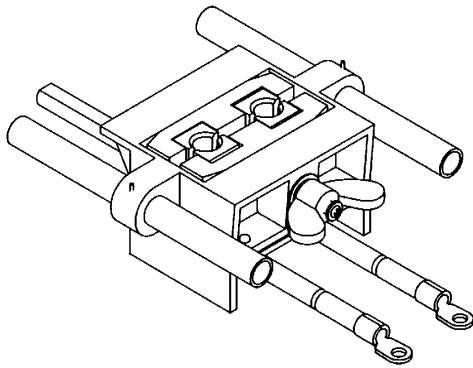
PARTS FOR TYPE 4181 BABY TENER SOLARSPOT®



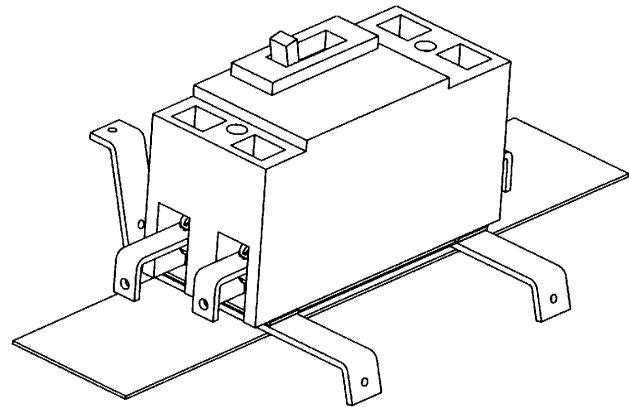
FOCUSING SCREW ASSY.
(418 - 13)



MIRROR & SUPPORT ASSY.
(418 - 4)



SOCKET ASSY.
(418 - 18)



SWITCH ASSY.
(418 - 9)

67

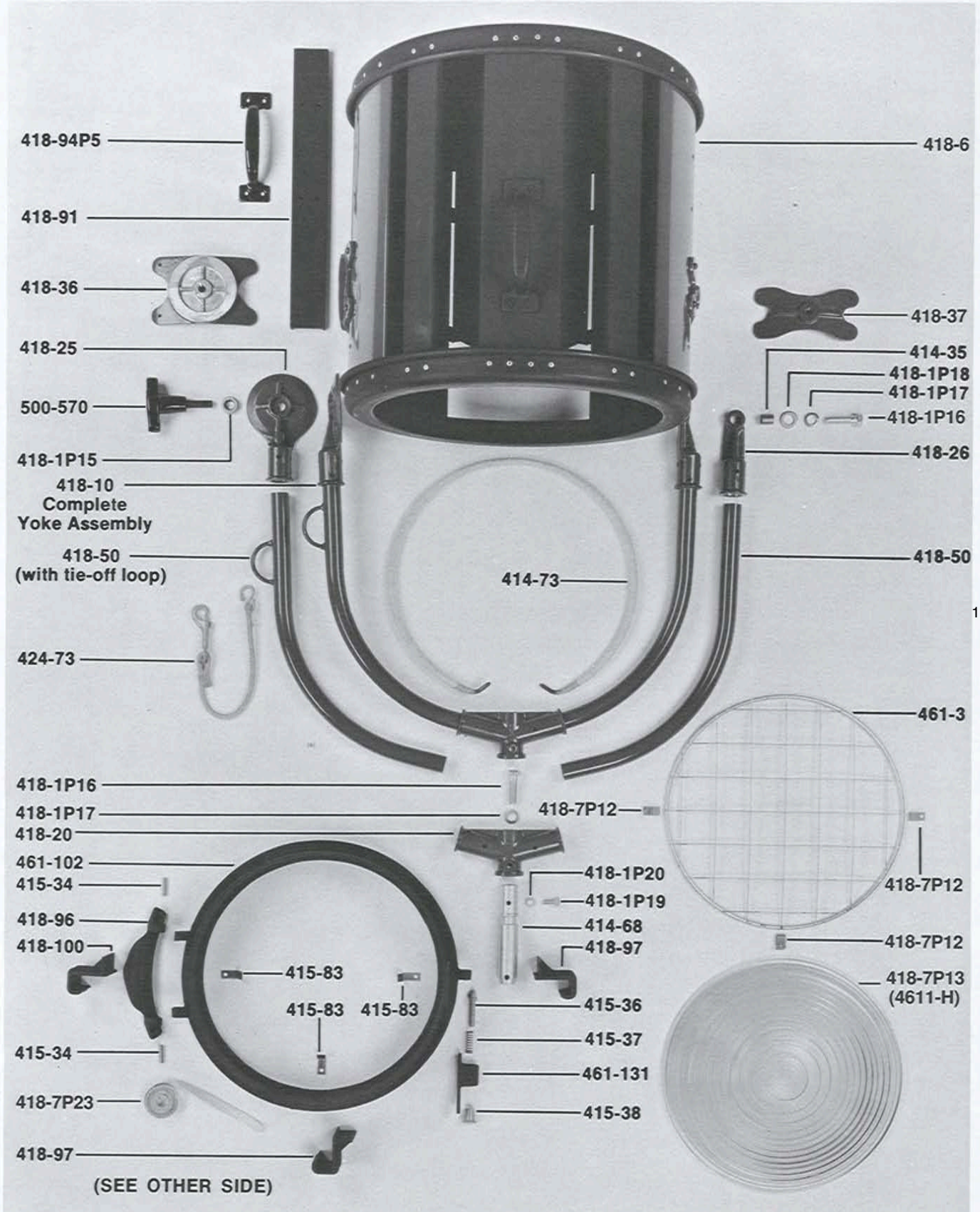


Mole-Richardson Co.



PARTS FOR TYPE 4181 10,000 WATT MOLEQUARTZ® BABY TENER SOLARSPOT®

4181A963



113



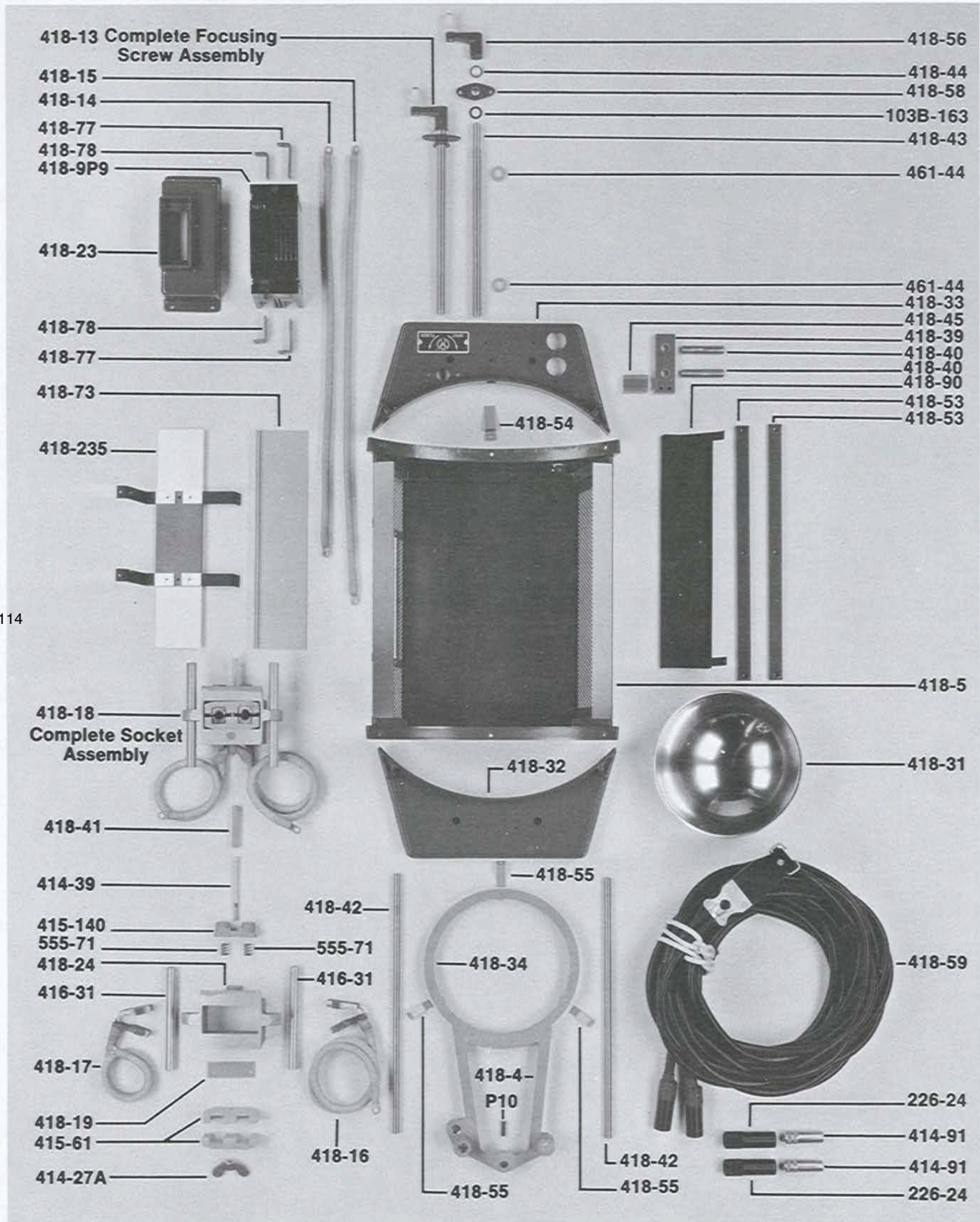
Mole-Richardson Co.





PARTS FOR TYPE 4181 10,000 WATT MOLEQUARTZ® BABY TENER SOLARSPOT®

4181B963



114



Mole-Richardson Co.



Tel. (323) 851-0111 Fax. (323) 851-5593 E-mail: info@mole.com Internet: http://www.mole.com 937 N. Sycamore Ave., Hollywood, California 90038-2384 U.S.A.

©Mole-Richardson Co., Hollywood, California U.S.A.