



## SENIOR STANDS

### **TYPE 418181** **SENIOR SIZE** **LITEWATE LOW**

A shorter version of the Senior Size Litewate Standard Stand.

**MOUNTING:** 1<sup>1</sup>/<sub>8</sub>" dia. standard spud  
**EXTENSIONS:** 2  
**LOW:** 35<sup>7</sup>/<sub>8</sub> inches  
**HIGH:** 79<sup>3</sup>/<sub>4</sub> inches  
**FOLDED FOR STORAGE:** 42<sup>1</sup>/<sub>2</sub> inches  
**WEIGHT:** 29<sup>3</sup>/<sub>4</sub> lbs.  
**FINISH:** Satin bright nickel and clear anodize tubing, ball burnished aluminum castings and maroon enameled brass castings.  
**CASTERS:** 5 inches



### **TYPE 418182** **SENIOR SIZE** **LITEWATE STANDARD**

A durable, quick folding lightweight stand. Ideal for studio and location use

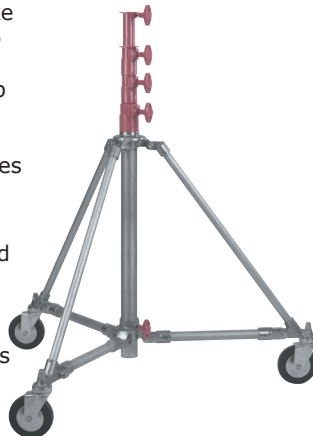
**MOUNTING:** 1<sup>1</sup>/<sub>8</sub>" dia. standard spud  
**EXTENSIONS:** 2  
**LOW:** 43 inches.  
**HIGH:** 102<sup>3</sup>/<sub>4</sub> inches.  
**FOLDED FOR STORAGE:** 48<sup>3</sup>/<sub>4</sub> inches.  
**WEIGHT:** 31 lbs.  
**FINISH:** Satin bright nickel and clear anodize tubing, ball burnished aluminum castings and maroon enameled brass castings.  
**CASTERS:** 5 inches



### **TYPE 418183** **SENIOR SIZE** **LITEWATE SKY-HI**

Sturdy design and light weight make it an ideal location stand. Folds into storage position with one easy motion. Curved locking shoes clamp extension securely in position. Unpainted surfaces are plated for long life. Easy rolling casters features neoprene tires and ball bearing swivels.

**MOUNTING:** 1<sup>1</sup>/<sub>8</sub>" dia. standard spud  
**EXTENSIONS:** 3  
**LOW:** 46<sup>1</sup>/<sub>8</sub> inches  
**HIGH:** 140<sup>7</sup>/<sub>8</sub> inches  
**FOLDED FOR STORAGE:** 41<sup>1</sup>/<sub>4</sub> inches  
**WEIGHT:** 16<sup>1</sup>/<sub>2</sub> lbs.  
**FINISH:** Baked maroon enamel and clear anodize aluminum.  
**CASTERS:** 5 inches



Folded for storage or transportation.



# Mole-Richardson Co.

## SENIOR/ WINDMACHINE STANDS

### **TYPE 41494**

#### **SENIOR SIZE STANDARD**

A long lasting heavy-duty folding studio type stand.

**MOUNTING:** 1<sup>1</sup>/<sub>8</sub>" dia. standard spud

**EXTENSIONS:** 2

**LOW:** 43 inches

**HIGH:** 100 inches

**FOLDED FOR STORAGE:** 42 inches

**WEIGHT:** 37 lbs.

**FINISH:** Baked maroon enamel

**CASTERS:** 4 inches



### **TYPE 19720**

#### **SENIOR SIZE WINDMACHINE LOW**

A low sturdy stand of steel tubing, brass castings and locking casters for use with Type 1971 Windmachine.

**MOUNTING:** 1<sup>1</sup>/<sub>8</sub>" dia. standard spud

**EXTENSIONS:** 1

**LOW:** 22<sup>1</sup>/<sub>4</sub> inches

**HIGH:** 32 inches

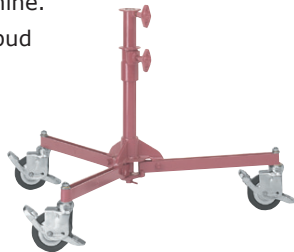
**FOLDED FOR STORAGE:**

18<sup>7</sup>/<sub>8</sub> inches

**WEIGHT:** 20<sup>1</sup>/<sub>2</sub> lbs.

**FINISH:** Baked maroon enamel

**CASTERS:** 4 inches—locking



### **TYPE 59746**

#### **SENIOR SIZE LONG LEG WINDMACHINE LOW**

A low sturdy stand of steel tubing, brass castings and locking casters for use with Type 1971 Windmachine.

**MOUNTING:** 1<sup>1</sup>/<sub>8</sub>" dia. standard spud

**EXTENSIONS:** 1

**LOW:** 22<sup>1</sup>/<sub>4</sub> inches

**HIGH:** 32 inches

**FOLDED FOR STORAGE:**

18<sup>7</sup>/<sub>8</sub> inches

**WEIGHT:** 23<sup>3</sup>/<sub>4</sub> lbs.

**FINISH:** Baked maroon enamel

**CASTERS:** 4 inches—locking

