



## Specifications

**Head:** Type 9161

**Rating:** 90-250 Volts AC, 50-60Hz, 100 Watts, 0.5-1 Amps Max.

**Light Source:** (1) - 100 Watt Mole-Richardson proprietary color mixing LEDs  
97CRI 2700°K - 5600°K

**Fuse:** 1.5 Amp Slow-Blow. Fuseholder in Trough

**Dimming:** Flicker Free, Direct DC Dimming 100% - 0%

**Beam Angle:** 40° Beam Lens

**Cooling:** Passive-Forced Air

**Construction:** Aluminum and Steel

**Yoke:** Steel w/Standard 5/8 in (16mm) Receiver

**Compliance:** RoHS, CE, UL, CSA Pending

**IP Rating:** 20

**Finish:** Textured Epoxy Powder Coat.

**Size:** 10.5 in/267 mm(d) x 7.4 in/187mm(w) x 11.2 in/284mm(h)

**Head Weight:** 6lbs/2.72kg (Head Only)

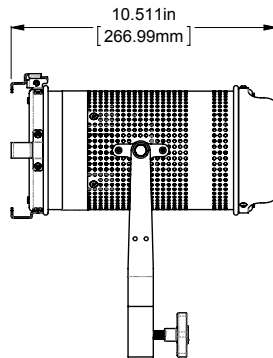
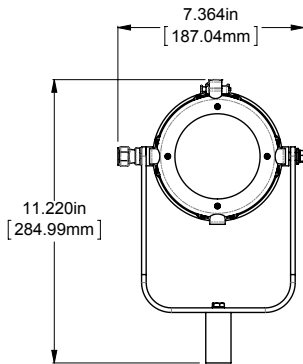
8lbs/3.63kg (Head with 20ft/6m cable)

**Cable:** Detachable 20 ft. (6m) cable, powerCON to Edison with inline toggle switch (included in price of fixture)

**Local Control:** Two on-board potentiometers

Dimming (100% - 0)

Color Temperature (2700°K to 5600°K)



## Accessories

	Item Number
4-Way Barn Door	89085
Diffuser Frame (5 1/8" dia.)	40437A
Half Single Scrim—Stainless Steel (5 1/8" dia.)	5526S
Half Double Scrim—Stainless Steel (5 1/8" dia.)	5526D
Full Single Scrim—Stainless Steel (5 1/8" dia.)	5523S
Full Double Scrim—Stainless Steel (5 1/8" dia.)	5523D
Scrim Bag	G135
Soft Box	9178

## 100W Vari-Mole LED Kit

Type 916111 Variable-Color Kit

### Kit Contents

	Item Number
(2) 100W Vari-Mole LED	9161
(2) 4-Way Barn Door	89085
(2) Cable W/ SW Box 12/3, 20 ft	927355
(1) Carrying Case	916102



### Performance Data

Using (1) 100 Watt Mole-Richardson LED

Distance Feet (Meters)	Light Intensity 100W LED Foot Candles (Lux)	
	2700K	5600K
10	30	30
(3)	(321)	(321)